

In-line holders for 1 to 3 electrodes, pH or ORP

9200 series



Holder 9223



Holder 9222

- Holder for 1, 2 or 3 electrodes
- Construction: PVC or PPH
- Process fitting: Union ND 20, diam. 25 mm

APPLICATIONS

In-line or by-pass holder for up to 3 sensors on pH, ORP, temperature monitoring.

DESCRIPTION

9200 series holders allows pH, ORP and/or temperature in-line measurements (flow through cells). They are designed to receive measuring electrodes with a fitting PG 13.5 (data-sheet 150-01 and 150-02). Choice of materials should consider chemical compatibilities and operating conditions of the application.

Mounting: The inlet of fluid is lower than the outlet in order to maintain the electrode in immersion in the liquid.

For pipes with a diameter greater than 25 mm, installation must be done as a bypass, adding a pressure drop (restriction, elbow, valve, etc.) in order to ensure a correct circulation of liquid around the electrodes. It is recommended to provide valves, upstream and downstream, to have at any time, comfortable calibration and maintenance routines.

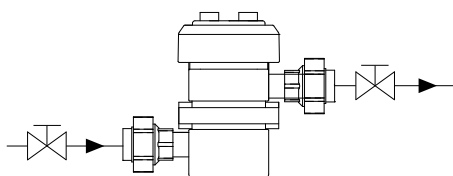
TECHNICAL FEATURES

Materials	Body: PVC - Unions ND 20, diam. 25 mm, for solvent welding Body: PPH - Unions DN 20, diam. 25 mm, for welding (Flanged fittings on request)
Seals	FPM
Temperature	PVC: 0 ... 50 °C PPH: 0 ... 90 °C
Pressure limit	6 bar

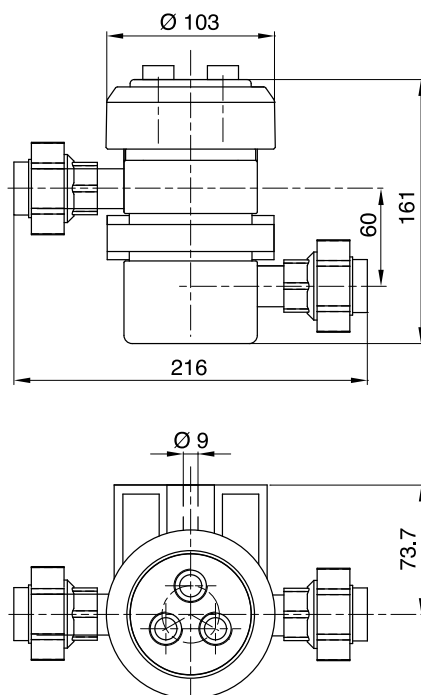
CODE NUMBERS AND REFERENCES

Standard supply: Holder delivered with 2 stoppers PG 13.5 and 1 mounting collar

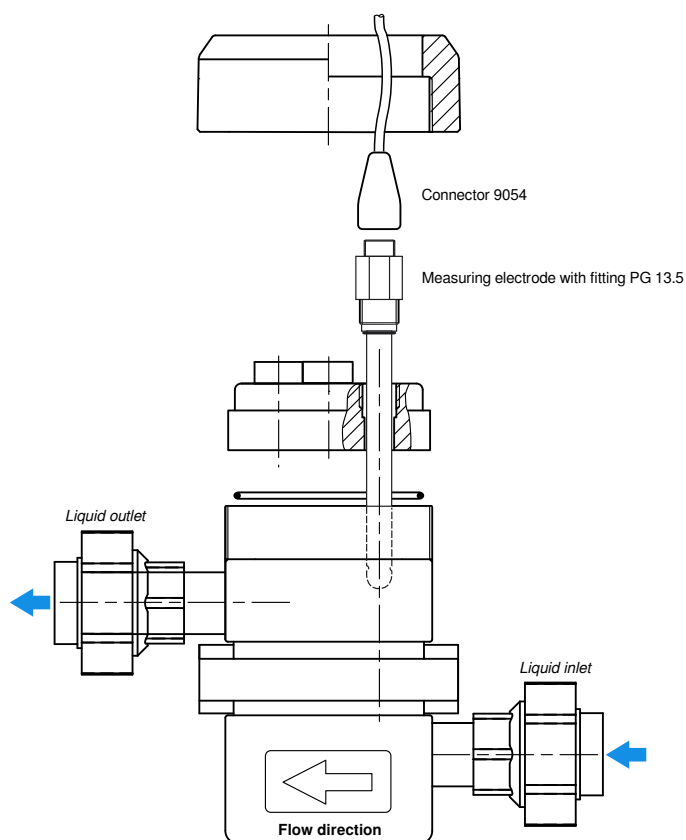
Code	Reference	Description
140 301	9222	PVC Holder for 1 to 3 electrodes PG 13.5
140 351	9223	PPH Holder for 1 to 3 electrodes PG 13.5



Installation example



Overview (electrodes not included)



BAMO INTERNATIONAL

22, Rue de la Voie des Bans · Z.I. de la gare · 95100 ARGENTEUIL

Tel +33 (0)1 30 25 83 20 Web www.bamo.eu

Fax +33 (0)1 34 10 16 05 E-mail export@bamo.fr

In-line holders for 1 to 3
electrodes, pH or ORP
9200 series

23-11-2018

D-140.01-EN-AF

pH

140-01/2