

# Inductive conductivity probe in NORYL TCS 3020 Series

- Range: from 10  $\mu\text{S}/\text{cm}$  up to 2000  $\text{mS}/\text{cm}$
- Material: NORYL
- Temperature max. 105 °C
- Low fouling incidence
- Built-in Pt 100 sensor



## APPLICATIONS

TCS 3020 is an inductive conductivity probe useful in wastewater treatment and in the chemical industry.

- Monitoring of aeration tower
- Clear water control (wells, drinking water, thermal baths, etc.)
- Control of stormwater and runoff water
- Monitoring of NaCl concentration (0 to 26 %)

## DESCRIPTION

TCS 3020 probe is convenient for measuring conductivity on a wide range between 10  $\mu\text{S}/\text{cm}$  and 2000  $\text{mS}/\text{cm}$ .

It uses inductive measurement principle that offers many advantages. There is a total galvanic insulation between measuring loop and the liquid which makes the measurement reliable on many chemicals.

### Measurement in immersion

The probe is fixed to end of probe holder for immersion from 500 to 2000 mm with an optional flange fitting.

### On-line measurement

Probe is mounted on a Te, ND 50 mm.

Complete measuring system includes:

- An inductive probe TCL S50, cable output.
- A probe holder for immersion or on-line measurement.
- A converter (factory calibration)
- A monitor BAMOPHAR 364 (data-sheet 364-04) previously BAMOPHOX 364

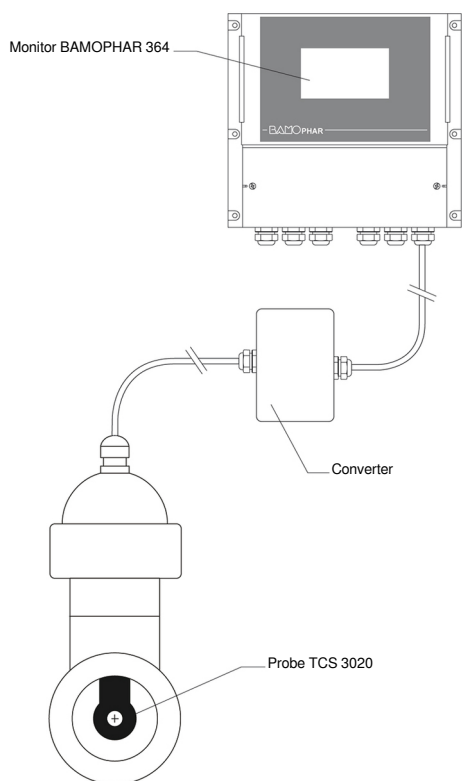
### Associated monitors

BAMOPHAR 364 (or BAMOPHOX 364) are designed for inductive conductivity monitoring.

Available ranges:

- 0... 2  $\text{mS}/\text{cm}$
- 0... 20  $\text{mS}/\text{cm}$
- 0... 200  $\text{mS}/\text{cm}$
- 0... 2000  $\text{mS}/\text{cm}$

Temperature compensation is performed by the monitor which provides a 4-20 mA signal output, copy of the measurement. Factory calibrations are done on each measuring system for a quick and easy start up on site.



Complete measuring system

**BAMO** INTERNATIONAL

22, Rue de la Voie des Bans · Z.I. de la gare · 95100 ARGENTEUIL

Tel +33 (0)1 30 25 83 20 Web [www.bamo.eu](http://www.bamo.eu)

Fax +33 (0)1 34 10 16 05 E-mail [export@bamo.fr](mailto:export@bamo.fr)

Inductive conductivity probe  
in NORYL  
**TCS 3020 Series**

29-06-2018

D-364.01-EN-AA

RES

364-01 /1

## TECHNICAL FEATURES

Measuring range From 10  $\mu$ S/cm to 2000 mS/cm  
 Wet parts material NORYL  
 Fitting 3/4" NPT  
 Temperature max. 105 °C  
 Temperature sensor Built-in sensor Pt 100  $\Omega$  at 0 °C  
 Pressure max. 10 bar  
 Cable output version 5 m long cable

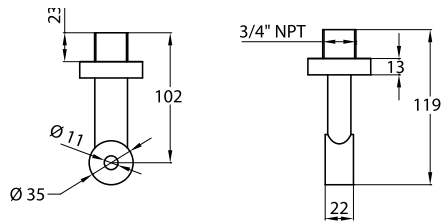
## CODE NUMBERS AND REFERENCES

Code	Reference	Description
364 056	TCS 3020 NORYL	Inductive conductivity probe; NORYL; 3/4" NPT; 5 m long cable
364 100	T PVC	Te holder; PVC; ND 50 mm
364 150	T PPH	Te holder; PPH; ND 50 mm
364 200	T PVDF	Te holder; PVDF; ND 50 mm
364 300	SI PVC / 364	Immersion probe holder; PVC; Height 500 up to 2000 mm
364 400	SI PVDF / 364	Immersion probe holder; PVDF; Height 500 up to 2000 mm
368 108	C8B	Shielded 8-wire cable

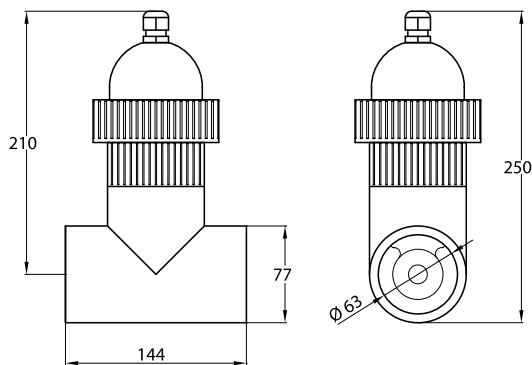
### NOTE:

For every system, a converter is inserted between the probe and the monitor. The converter in its case will be ideally located on the holder. **A correct length of C8B cable is necessary to connect the converter to the monitor.**

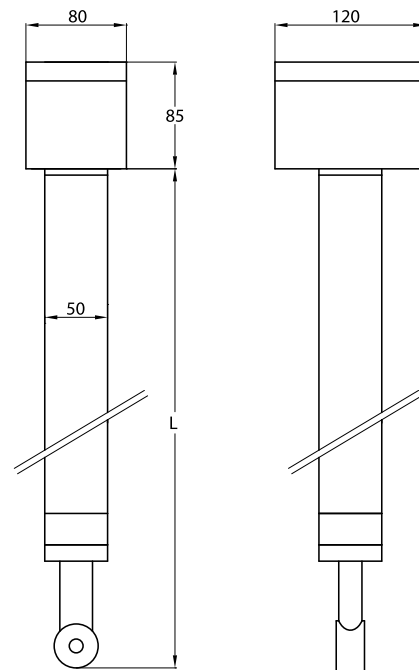
## DIMENSIONS



TCS 3020 probe (alone)



In-line probe holder



Immersion probe holder

# BAMO INTERNATIONAL

22, Rue de la Voie des Bans · Z.I. de la gare · 95100 ARGENTEUIL  
 Tel +33 (0)1 30 25 83 20 Web [www.bamo.eu](http://www.bamo.eu)  
 Fax +33 (0)1 34 10 16 05 E-mail [export@bamo.fr](mailto:export@bamo.fr)

Inductive conductivity probe  
 in NORYL  
**TCS 3020 Series**

29-06-2018

D-364.01-EN-AA

RES

364-01 /2