

Level indicator GNR 5 - PVC



- Direct reading on site
- Height: 40 to 500 cm
- Wet parts: PVC, PPH
- Seals: EPDM
- Adjustable level switches

APPLICATIONS

Reading and control of liquid level in a tank; With level switches: Pump and solenoid valves automation, remote alarm signals.

DESCRIPTION

The GNR5 consists of a transparent PVC tube for direct viewing of the stored liquid level.

Stop valves (in option) allow the disassembly of the measuring tube by keeping the tank under pressure.
Drain valve as an option on the bottom fitting.

To limit shocks to the measuring tube, GNR5 can be equipped with a transparent PVC protection screen.

Accessories: Level switches BSM or BRK to send a remote signal on/off for alarms or automation of pump or solenoid valve.

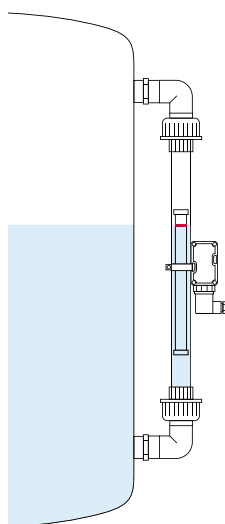
TECHNICAL FEATURES

Measuring tube	PVC, transparent, Ø 32 mm
Magnetic float	PPH, Ø 25 mm (height 180 mm)
Stop valves	PVC, EPDM seals (standard)
Operating temperature	0... +45 °C
Operating pressure	4 bar max. at 20 °C
Fittings:	<i>To the tank</i>
	Loose flanges, PVC, DN20 or DN25 (PN 10)
	Threads: BSP 1"
Center to center	400 ... 5000 mm
	<i>For heights greater than 2000 mm, the indicator is supplied in 2 parts.</i>

Options:

- Level switches BRK 60 (data-sheet 585-02)
- Level switches BSM 501 (data-sheet 585-01)
- Protection screen, Ø 63 mm, transparent PVC

To validate the use of a GNR5 for your application, please provide the distance CtoC, fluid quality & density, maxima of temperature and pressure, requested fittings & accessories.



Operating system

BAMO INTERNATIONAL

22, Rue de la Voie des Bans · Z.I. de la gare · 95100 ARGENTEUIL

Tel +33 (0)1 30 25 83 20 Web www.bamo.eu

Fax +33 (0)1 34 10 16 05 E-mail export@bamo.fr

Level indicator
GNR 5 - PVC

04-10-2019

D-571.01-EN-AC

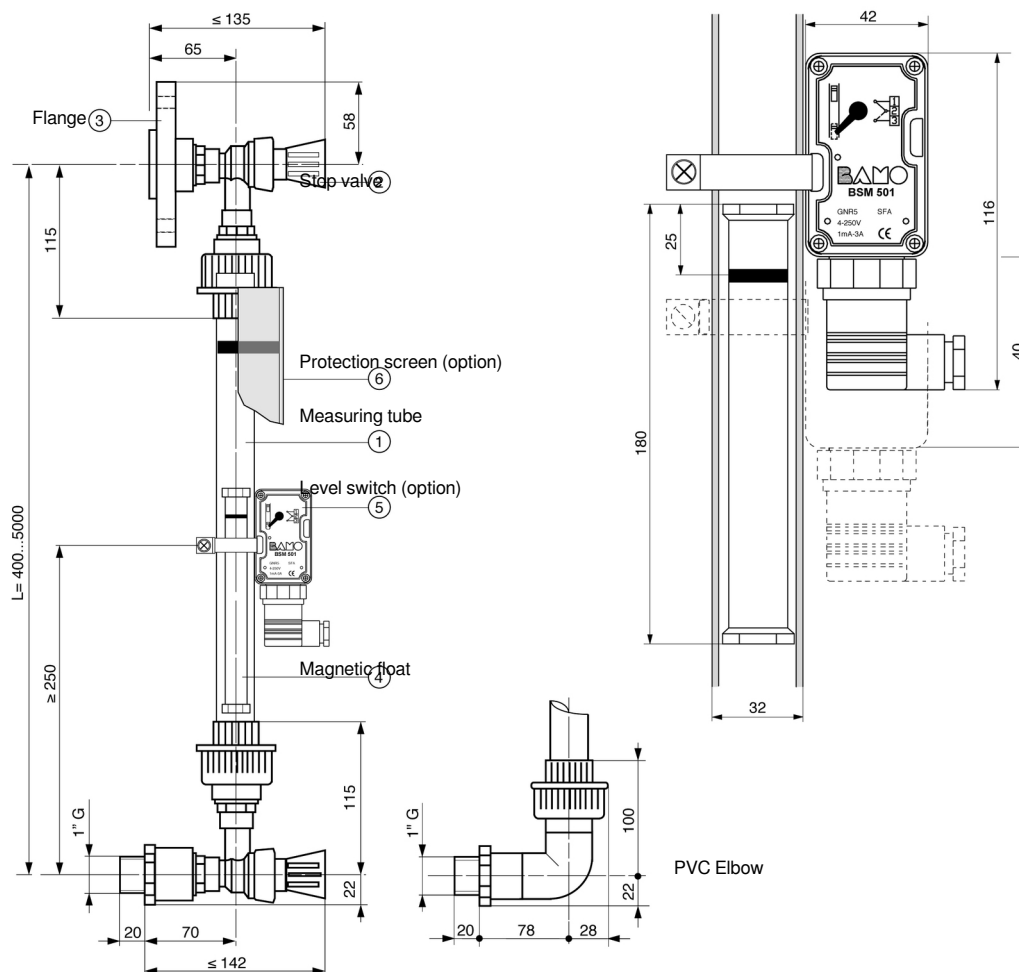
NIV

571-01 /1

CODE NUMBERS AND REFERENCES

Code	Reference	Fittings	Stop valves	Elbows (90°)	Drain valve
571 100	GNR 5/PVC-52/1"	Threads BSP 1"	On top & bottom	-	-
571 101	GNR 5/PVC-52/DN 20	Flanges DN 20	On top & bottom	-	-
571 102	GNR 5/PVC-52/DN 25	Flanges DN 25	On top & bottom	-	-
571 120	GNR 5/PVC-52/1"+P	Threads BSP 1"	On top & bottom	-	Included
571 121	GNR 5/PVC-52/DN 20 +P	Flanges DN 20	On top & bottom	-	Included
571 122	GNR 5/PVC-52/DN 25 +P	Flanges DN 25	On top & bottom	-	Included
571 110	GNR 5/PVC-42/1"	Threads BSP 1"	On bottom	On top	-
571 111	GNR 5/PVC-42/DN 20	Flanges DN 20	On bottom	On top	-
571 112	GNR 5/PVC-42/DN 25	Flanges DN 25	On bottom	On top	-
571 200	GNR 5/PVC-32/1"	Threads BSP 1"	-	On top & bottom	-
571 201	GNR 5/PVC-32/DN 20	Flanges DN 20	-	On top & bottom	-
571 202	GNR 5/PVC-32/DN 25	Flanges DN 25	-	On top & bottom	-
Accessories					
570 080	GNR 52	For replacement: Magnetic float, PPH, for PVC tube Ø 32 x 2,4			
585 100	BSM 501 / 32	Level switch BSM 501, with stainless steel collar for tube Ø 32			
570 050	BRK 60 / 32	Level switch BRK 60, with stainless steel collar for tube Ø 32			
571 130	Ecran PVC Ø 63	Protection screen Ø 63, transparent PVC			

DIMENSIONS



BAMO INTERNATIONAL

22, Rue de la Voie des Bans · Z.I. de la gare · 95100 ARGENTEUIL

Tel +33 (0)1 30 25 83 20 Web www.bamo.eu

Fax +33 (0)1 34 10 16 05 E-mail export@bamo.fr

Level indicator GNR 5 - PVC

04-10-2019

D-571.01-EN-AC

NIV

571-01 /2