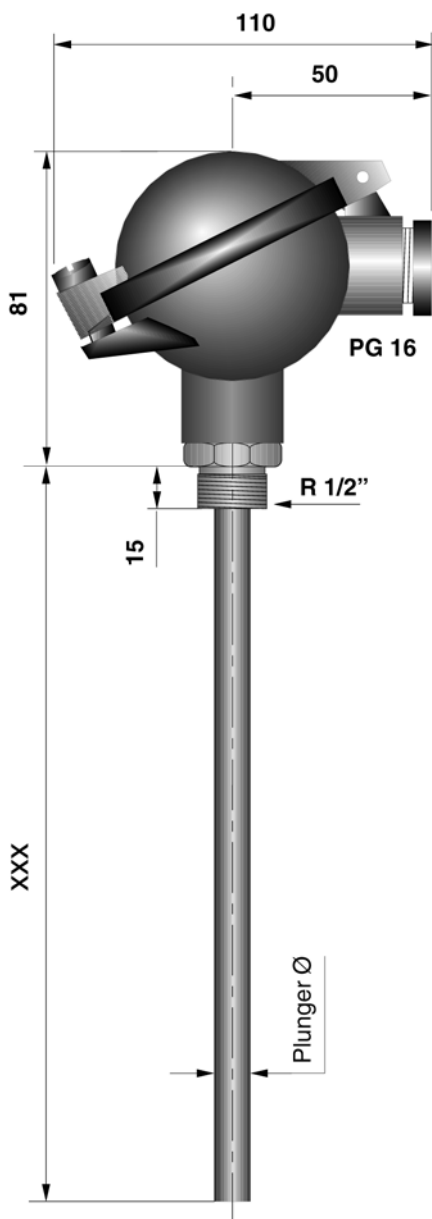


# Pt 100 Ω TEMPERATURE PROBE TS 11

- Pt 100 Ω at 0 °C
- Measure scale - 50 to + 250 °C
- Wetted parts S.Steel 316L
- Industrial head



## DESCRIPTION AND FEATURES

TS 11

### Connection

- Without
- 1/2" Mâle Gas
- 1/2" Mâle NPT

0  
1  
2

### Probe material

- S.Steel 316 L

I

### Plunger length

- from 50 to 999 mm

xxx

### Plunger diameter

- 6 mm (Maxi 500 mm)
- 8 mm (Max 800 mm)
- 10 mm

06  
08  
10

### Sensible element

- Simple 3 wires
- Simple 4 wires
- Duplex 2x3 wires

3  
4  
6

### Accuracy

- Class A
- Class B

A  
B

### Electric connection

- Céramic terminal box
- 4-20 mA Transmitter

C  
T

### Head

- B
- DB
- PVC
- NORYL

B  
DB  
PVC  
NS

TS 11 I [ ] [ ] [ ] [ ] [ ] [ ] [ ]

611

**BAMO MESURES**

13, rue Pasteur - 95100 ARGENTEUIL - FRANCE  
Tél : (+33) 01 30 25 83 20 - E-mail : info@bamo.fr  
Fax : (+33) 01 34 10 16 05 - Site : http://www.bamo.fr

TEMPERATURE PROBE  
Pt 100 Ω at 0°C  
**TS 11**

11/03/2003

61111 01°C

TE

611/1