

# Flow indicator OPTIFLUX



- Indication of flow with a rotor
- Mounting in all positions
- Up to 16 bar; Up to 100 °C
- Cleaning without dismounting
- For liquids
- Fittings:  
BSP 1/4" ... 1 1/2" female threads
- Brass version or stainless steel

## APPLICATIONS

- Direct viewing of the flow through the transparent pipe

## DESCRIPTION

The OPTIFLUX allows through a glass cylinder, to visualize the flow with its rotor. It has a built-in cleaner (patented) to wipe out the dirt. Simply turn the glass tube 180 °, so as to concentrate the impurities in two narrow lines that will be cleaned by the circulating fluid. Self-lubricating O-ring seals make possible to turn the tube easily, even at maximum pressure.

## TECHNICAL FEATURES

Pressure limit	16 bar
Temperature limit	100 °C
Rotor (red colour)	POM, from ND 8 up to ND 25
Rotor (white colour)	Nylon, ND 32 and ND 40

### Type: WR - MI

Body	Brass
Tube	Borosilicate glass DURAN®
Wipers	Polyolitin
Seals	NBR

### Type: WR - KI

Body	AISI 303 (1.4305)
Tube	Borosilicate glass DURAN®
Wipers	Polyolitin
Seals	FPM

**EC Conformity:** The instrument meets the legal requirements of the current European Directives

**BAMO** INTERNATIONAL

22, Rue de la Voie des Bans · Z.I. de la gare · 95100 ARGENTEUIL

Tel +33 (0)1 30 25 83 20 Web [www.bamo.eu](http://www.bamo.eu)

Fax +33 (0)1 34 10 16 05 E-mail [export@bamo.fr](mailto:export@bamo.fr)

Flow indicator  
**OPTIFLUX**

19-11-2019

D-719.01-EN-AA

DEB

719-01 /1

## CODE NUMBERS AND REFERENCES

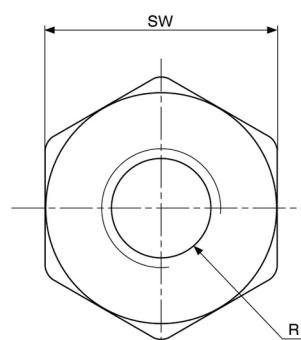
ND	Raccord	Code	Reference	Code	Reference
8	1/4" G	719 200	WR - 08 MI	719 400	WR - 08 KI
10	3/8" G	719 210	WR - 10 MI	719 410	WR - 10 KI
15	1/2" G	719 215	WR - 15 MI	719 415	WR - 15 KI
20	3/4" G	719 220	WR - 20 MI	719 420	WR - 20 KI
25	1" G	719 225	WR - 25 MI	719 425	WR - 25 KI
32	1 1/4" G	719 232	WR - 32 MI	<b>719 432</b>	WR - 32 KI
40	1 1/2" G	719 240	WR - 40 MI	719 440	WR - 40 KI
<b>WR - .. Mi : Brass versions ↑</b>				<b>WR - .. Ki : AISI 303 versions ↑</b>	

## FLOW RATES

ND	Raccord	Low limit H <sub>2</sub> O [l/min]	High limit H <sub>2</sub> O [l/min]	Pressure drop ΔP [bar] at Q. max.	Mass [g]
8	1/4" G	0.7	4	0.25	300
10	3/8" G	0.8	8		
15	1/2" G	1.4	12		600
20	3/4" G	1.7	25		
25	1" G	1.6	40		
32	1 1/4" G	8	80		1,500
40	1 1/2" G	8	100		1,600

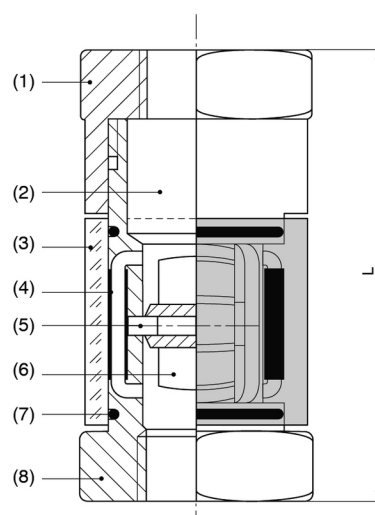
## DIMENSIONS

ND	R	L [mm]	SW	Ø glass tube [mm]
8	1/4" G	71	36	30
10	3/8" G	71		
15	1/2" G	86	46	40
20	3/4" G	95		
25	1" G	105		
32	1 1/4" G	120	70	65
40	1 1/2" G	130		



## DESCRIPTION

Marks	Part	Material
(1)	Body	Nickel-plated brass or AISI 303
(2)	Case	Nickel-plated brass or AISI 303
(3)	Viewing tube	Borosilicate glass DURAN®
(4)	Wiper support	AISI 303
(5)	Rotor axis	AISI 316 Ti
(6)	Rotor ND 8 to ND 25 (Red) Rotor ND 32 and ND 40 (White)	POM Nylon
(7)	O-ring seals	Buna N or FPM
(8)	Body	Nickel-plated brass or AISI 303



## MOUNTING

The flow indicators can be mounted in any position, two arrows indicate the flow direction.

When inserting in-line, hexagonal fittings (1) and (8) must be held with a wrench, in order to avoid deformation of the complete assembly.

# BAMO INTERNATIONAL

22, Rue de la Voie des Bans · Z.I. de la gare · 95100 ARGENTEUIL

Tel +33 (0)1 30 25 83 20 Web [www.bamo.eu](http://www.bamo.eu)

Fax +33 (0)1 34 10 16 05 E-mail [export@bamo.fr](mailto:export@bamo.fr)

## Flow indicator OPTIFLUX

19-11-2019

D-719.01-EN-AA

## DEB

719-01 /2