

FLOW RATE MEASURING PROBES DEBIX



- Suitable for pipes from ND 15 to ND 3000 mm
- Low pressure drop
- Flow rate = $f \sqrt{P}$
- Designed for liquids and gases
- Reliable, accuracy $\pm 1\%$
- Excellent repeatability
- Fast and economical installation

APPLICATIONS

The DEBIX probe may replace advantageously other primary flow sensors as Venturi flow rate probes and orifice plates.

DEBIX probes are suitable with liquids such as water, chemicals, oils, and gases. We do not apply these models with steams or heated fluids.

The probe may fit any kind of pipe such as carbon steel or concrete pipes, of any shape (circular, square or rectangular section).

PRINCIPLE

Flow = $f(\sqrt{P})$ – (Bernouilli theorem).

DESCRIPTION

Upper stream: measuring of Total Pressure (TP) equal to the sum of Static Pressure (ST) and Dynamic Pressure (DP), through four inlets allowing an average measurement along the diameter.

Down stream: measuring of Static Pressure (SP) through the fifth inlet.

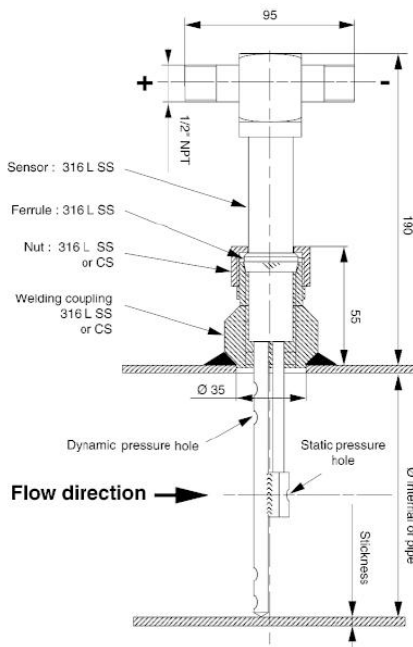
From the connecting head, the differential pressure is then in direct relation with the flow rate:

$$\text{Flow} = f(\sqrt{P})$$

$$\sqrt{P} = (TP - ST) = DP$$

COMPLETE MEASURING LINE

The DEBIX probe will be completed with connections, adaptors, manifold or valves and a transmitter according to the process parameters (on request).



BAMO MESURES

22, Rue de la Voie des Bans - 95 100 ARGENTEUIL - FRANCE
 Phone +33 (0)1 30 25 83 20 - E-mail: info@bamo.fr
 Fax: +33 (0)1 34 10 16 05 - <http://www.bamo.eu>

FLOW SENSOR
DEBIX

03-09-2009

760 lx

DEB

760/1

FLOW RATE MEASURING PROBES

DEBIX RO 215 - 220 - 225 - 226

TECHNICAL FEATURES

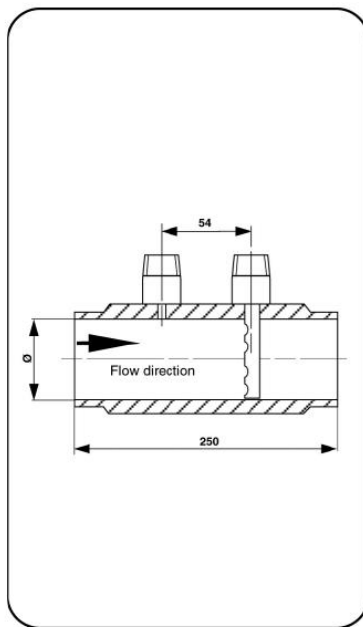
Construction: Stainless steel 316 L
 Connections: NPT 1/2" M
 Fittings: Iron steel, welding connector or connector with gland
 Accuracy: $\pm 1\%$
 Repeatability: 0.1 %
 Pressure: 16 bar as a maximum
 Temperature: 400 °C as a maximum

OPTIONS - ACCESSORIES

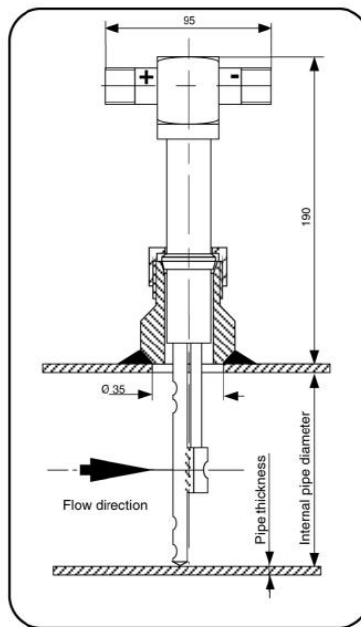
Connections: NPT 1/4" M
 Fittings: Stainless steel, welding connector or connector with gland
 Ball valve: According to operating conditions
 Needle valves: According to operating conditions
 Manifold: According to operating conditions

MAXIMAL FLOW RATES

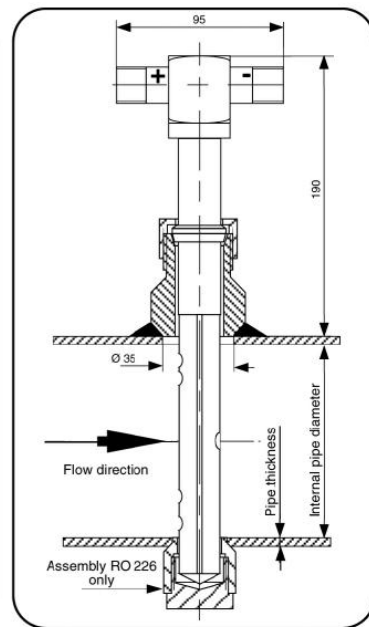
int. Ø	Flow in m ³ /h of water at 20 °C			
25	30			
35	40			
40	50			
50		80		
60		100		
75		120		
90		150		
100		170		
125		220		
150			690	
200			950	
250			1220	
300			1480	2880
350			1730	3360
400			1980	3850
450			2220	4320
500			2460	4800
600			2890	5800
750			3580	7340
900			4610	8650
1050			5440	9940
1200				11590
1500				14330
1800				18470
	RO 215	RO 220	RO 225	RO 226



DEBIX RO 215



DEBIX RO 220



DEBIX RO 225 / 226

BAMO MESURES

22, Rue de la Voie des Bans - 95 100 ARGENTEUIL - FRANCE
 Phone +33 (0)1 30 25 83 20 - E-mail: info@bamo.fr
 Fax: +33 (0)1 34 10 16 05 - http://www.bamo.eu

FLOW SENSOR
 DEBIX

03-09-2009

760 lx

DEB

760/1

FLOW RATE MEASURING PROBES

DEBIX RF 110 - 112 - 113 – 118

TECHNICAL FEATURES

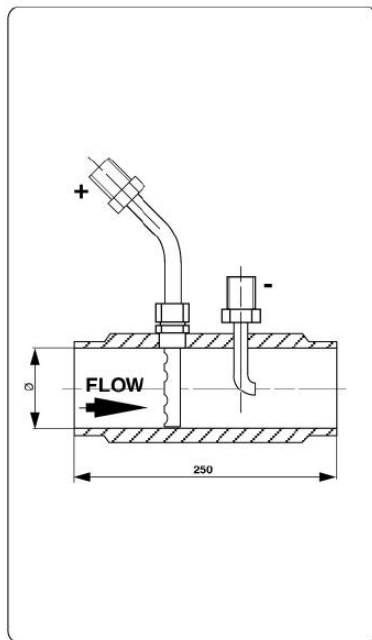
Construction: Stainless steel 316 L
 Connections: NPT 1/4" M
 Fittings: According to the model
 Accuracy: ± 3 %
 Repeatability: 0.3 %
 Pressure: 16 bar as a maximum
 Temperature: 200 °C as a maximum

OPTIONS - ACCESSORIES

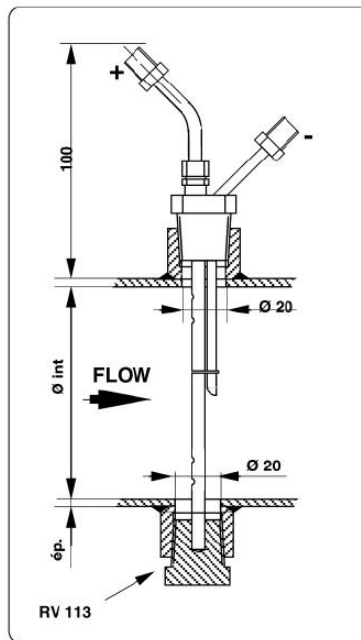
Connections: NPT 1/2" M
 Ball valve: According to operating conditions
 Manifold: According to operating conditions

MAXIMAL FLOW RATES

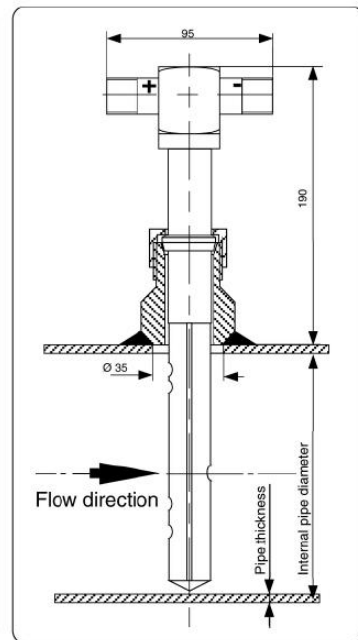
int. Ø	Flow in m ³ /h of water at 20 °C			
25	30			
30	35			
40	45	70		
50	65	89		
65	90	125		
75		135	295	
90		155	350	
100		175	390	
125		220	490	
150		265	590	820
175		300	640	950
200		350	790	1200
225		410	910	1350
250		510	1020	1500
300		650	1220	1840
400				2400
550				3090
600				3890
	RF 110	RF 112	RF 113	RF 118



DEBIX RF 110



DEBIX RF 112 - 113



DEBIX RF 118

BAMO MESURES

22, Rue de la Voie des Bans - 95 100 ARGENTEUIL - FRANCE
 Phone +33 (0)1 30 25 83 20 - E-mail: info@bamo.fr
 Fax: +33 (0)1 34 10 16 05 - http://www.bamo.eu

FLOW SENSOR
 DEBIX

03-09-2009

760 lx

DEB

760/1