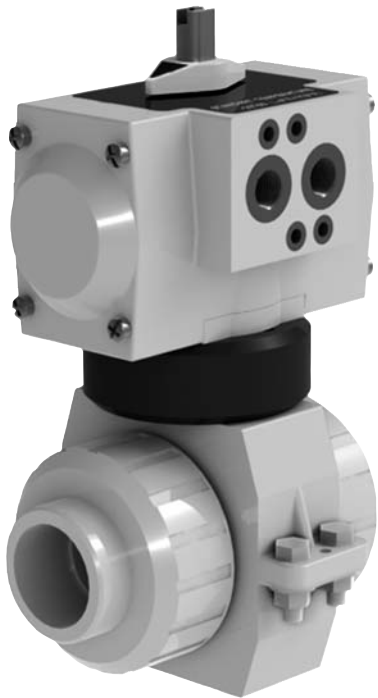


Pneumatically actuated 2-way ball valves, single / double acting VP2V S4-PVDF



- ND 10 to ND 100
- In-line pattern
- Pneumatic actuator
Single or double acting, Position index
- Status NC or NO
- Standard compatibility:
NAMUR VDI/VDE 3845 and ISO 5211

OPTIONS

- Limit switch box
- Pilot valve

APPLICATIONS

Pneumatically actuated 2-way ball valves are designed to allow / stop the flow of liquids, even chemically aggressive. The options permit automatic operations.

TECHNICAL FEATURES

Valve materials

Body: PVDF
 Seals: FPM
 Ball: PVDF
 Ball seating joints: PTFE
 Process connections: Unions (*solvent sockets*)
 Pressure: 5 bar (ND 80...100), 6 bar (ND 65),
 10 bar (DN 10...50), as maxima

Pneumatic actuator Single (NO or NC) or double acting
 Control pressure: 6 bar as a maximum
 Connections: 1/4" G

OPTIONS

- Limit switch box
- Pilot valve: 3/2-way solenoid valve (*single effect*)
- Pilot valve: 5/2-way solenoid valve (*double effect*)

CODE NUMBERS AND REFERENCES

d	ND	Single effect / NC	Single effect / NO	Double effect
16	10	913 601	913 611	913 621
20	15	913 602	913 612	913 622
25	20	913 603	913 613	913 623
32	25	913 604	913 614	913 624
40	32	913 605	913 615	913 625
50	40	913 606	913 616	913 626
63	50	913 607	913 617	913 627
75	65	913 608	913 618	913 628
90	80	913 609	913 619	913 629
110	100	913 610	913 620	913 630

BAMO MESURES

22, Rue de la Voie des Bans - Z.I. de la Gare - 95100 ARGENTEUIL

Tél : (+33) 01 30 25 83 20 - Web : www.bamo.fr

Fax : (+33) 01 34 10 16 05 - E-mail : info@bamo.fr

Pneumatically actuated
2-way ball valves
VP2V S4-PVDF

06-10-2011

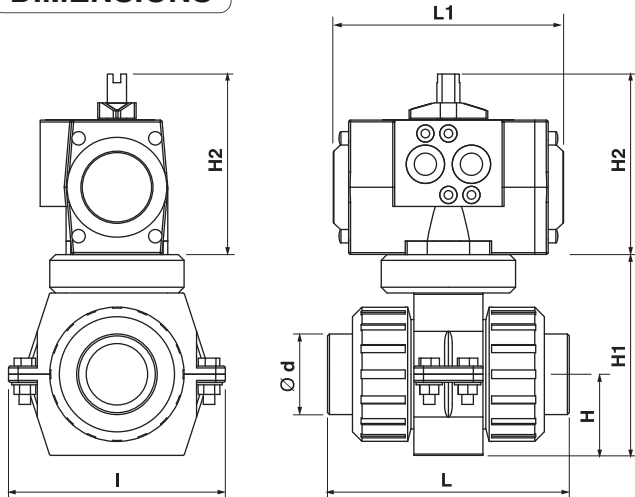
903 I1 02 B

PLAS

913-07/1

913

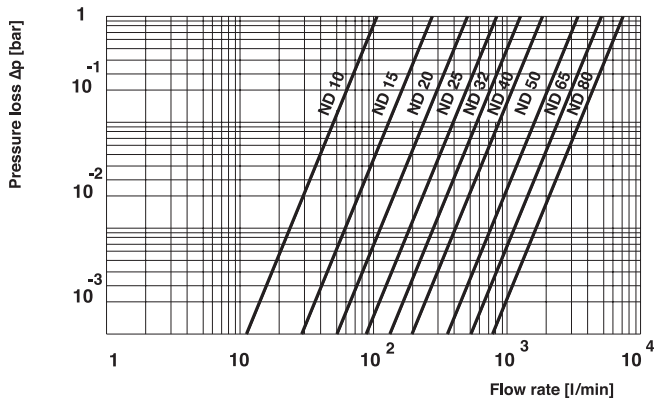
DIMENSIONS



DN	d	H	H1	H2	L	L1	I	Kg
10	16	33	86	91	99	119	113	1.57
15	20	33	86	91	99	119	113	1.57
20	25	40	100	91	113	119	113	1.585
25	32	43	106	91	122	119	113	1.75
32	40	51	130	91	139	160	144	1.7
40	50	56	155	91	164	160	144	2.21
50	63	64	168	112	176	160	144	3.04
65	75	85	230	112	216	160	204	6.79
80	90	100	260	132	260	175	204	9.01
100	110	100	260	132	271	175	204	9.01

OPERATING FEATURES

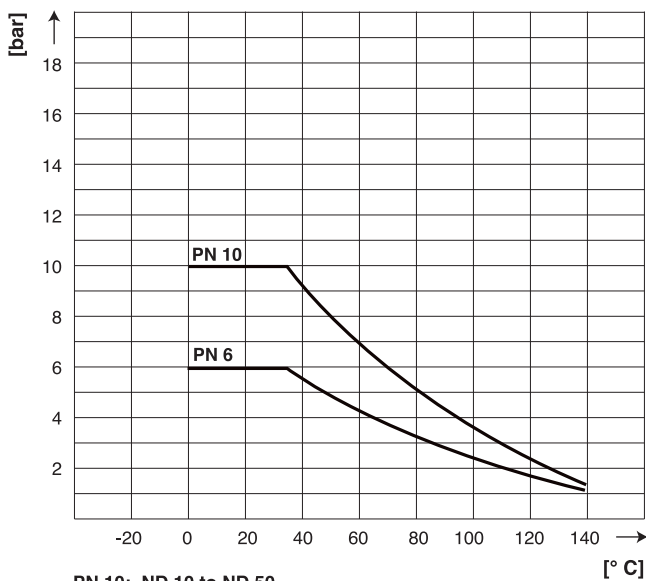
Pressure loss vs. Flow diagram [water at 20°C]



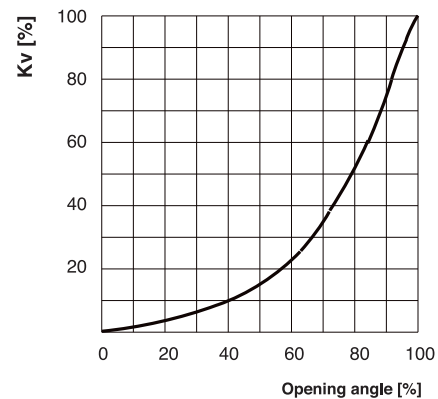
Kv value table

	Pressure loss	
	1 bar	0.001 bar
ND 10	107 l/min	3,4 l/min
ND 15	278 l/min	8,8 l/min
ND 20	509 l/min	16,1 l/min
ND 25	843 l/min	26,7 l/min
ND 32	1269 l/min	40,1 l/min
ND 40	1858 l/min	58,7 l/min
ND 50	3424 l/min	110 l/min
ND 65	5133 l/min	165 l/min
ND 80	7455 l/min	240 l/min

Pressure vs. temperature diagram



Flow characteristic



BAMO MESURES

22, Rue de la Voie des Bans - Z.I. de la Gare - 95100 ARGENTEUIL
Tél : (+33) 01 30 25 83 20 - Web : www.bamo.fr
Fax : (+33) 01 34 10 16 05 - E-mail : info@bamo.fr

Pneumatically actuated
2-way ball valves
VP2V S4-PVDF

06-10-2011

903 I1 02 B

PLAS

913-07/2