

Electrically actuated 2-way ball valves VE2V S4-PVDF



- ND 10 to ND 100
- In-line pattern
- Electric actuator, Position index
- Manual operating for immediate action

APPLICATIONS

Electrically actuated 2-way ball valves are useful to stop the flow of fluids in part of a plant. Opened they do not induce pressure drop. Closing time is about 10 seconds.

These models in plastics are designed for aggressive liquids.

Assistance with manual operating for maintenance or emergency operations (*actuator power supply is switched off before a manual operating*).

TECHNICAL FEATURES

Valve materials

Body:	PVDF
Seals:	FPM
Ball:	PVDF
Ball seating joints:	PTFE

Process connections:	Unions (<i>solvent sockets</i>)
Pressure:	10 bar as a maximum up to 20°C, see the diagram P vs. T

90° electric actuator

Operation:	10 s approx. for rotating 90°
Emergency operation:	Manual operating
Duty rating:	30%
Protection:	IP65
Wiring:	1 cable gland ISO M20 DIN 43650 plug; 3 wire + earth
Power:	15 W (ND 10 to ND 50) 45 W (ND 65 to ND 80)
Main power input:	90...240 V AC 50/60 Hz and 90...350 V DC 24 V AC 50/60 Hz and 24 V DC

OPTIONS *Upon request*

CODE NUMBERS AND REFERENCES

d	ND	24 V AC and 24 V DC	90...240 V AC and 90...350 V DC
16	10	914 601	914 611
20	15	914 602	914 612
25	20	914 603	914 613
32	25	914 604	914 614
40	32	914 605	914 615
50	40	914 606	914 616
63	50	914 607	914 617
75	65	914 608	914 618
90	80	914 609	914 619
110	100	914 610	914 620

BAMO MESURES

22, Rue de la Voie des Bans - Z.I. de la Gare - 95100 ARGENTEUIL

Tél : (+33) 01 30 25 83 20 - Web : www.bamo.fr

Fax : (+33) 01 34 10 16 05 - E-mail : info@bamo.fr

Electrically actuated
2-way ball valves
VE2V S4-PVDF

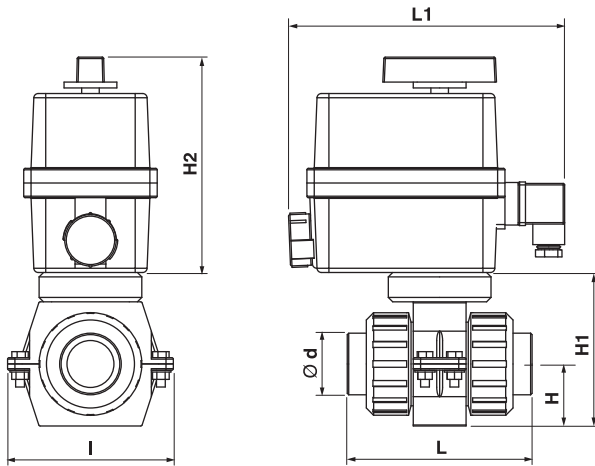
29-11-2011

914 I1 07 A

PLAS

914-07/1

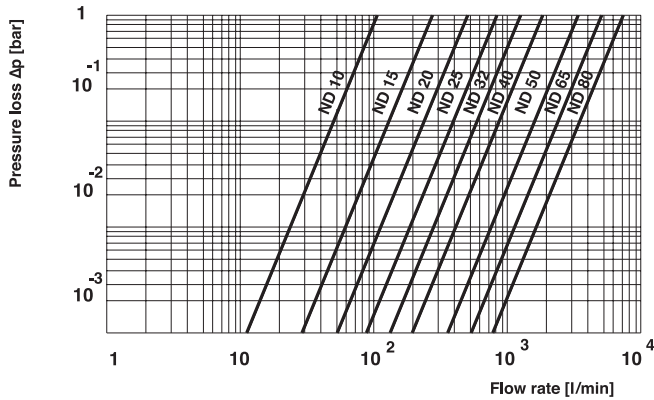
DIMENSIONS



ND	d	H	H1	H2	L	L1	I
10	16	33	86	148	99	190	113
15	20	33	86	148	99	190	113
20	25	40	100	148	113	190	113
25	32	43	106	148	122	190	113
32	40	51	130	148	139	190	144
40	50	56	155	148	164	190	144
50	63	64	168	148	176	190	144
65	75	85	230	180	216	206	204
80	90	100	260	180	260	206	204
100	110	100	260	180	271	206	204

OPERATING FEATURES

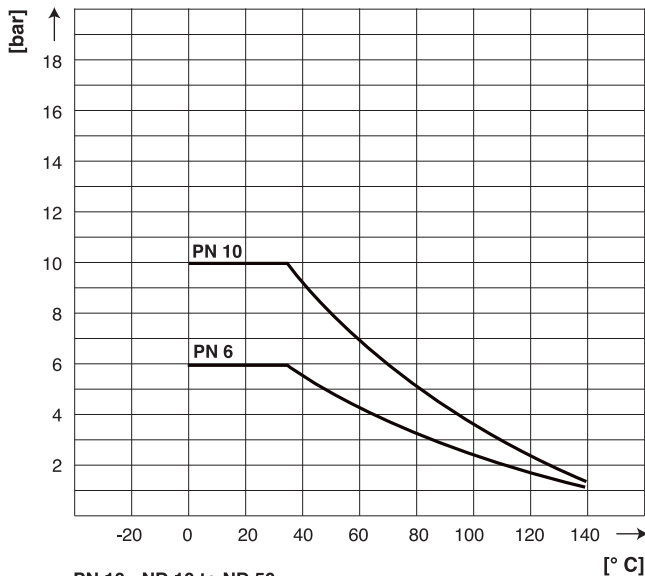
Pressure loss vs. Flow diagram [water at 20°C]



Kv value table

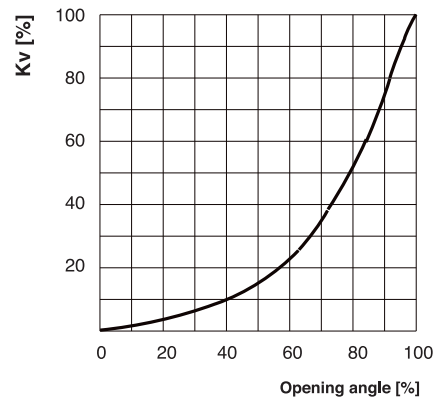
	Pressure loss	
	1 bar	0.001 bar
ND 10	107 l/min	3.4 l/min
ND 15	278 l/min	8.8 l/min
ND 20	509 l/min	16.1 l/min
ND 25	843 l/min	26.7 l/min
ND 32	1269 l/min	40.1 l/min
ND 40	1858 l/min	58.7 l/min
ND 50	3424 l/min	110 l/min
ND 65	5133 l/min	165 l/min
ND 80	7455 l/min	240 l/min

Pressure vs. temperature diagram



PN 10: ND 10 to ND 50
PN 6: ND 65 to ND 100

Flow characteristic



Electrically actuated
2-way ball valves
VE2V S4-PVDF

29-11-2011

914 I1 07 A

PLAS

914-07/2

BAMO MESURES

22, Rue de la Voie des Bans - Z.I. de la Gare - 95100 ARGENTEUIL

Tél : (+33) 01 30 25 83 20 - Web : www.bamo.fr

Fax : (+33) 01 34 10 16 05 - E-mail : info@bamo.fr