

Electrically actuated butterfly valves VEP K4-PVDF



- Butterfly valves ND50 to ND200
- Radial mounting and dismounting
- Electric actuator with position pointer and manual operating for emergency

DESCRIPTION

Electrically actuated butterfly valves are useful to allow or to stop the flow of liquids in piping systems; Wet parts are only the sealings, seat and disk.

These valves are designed for aggressive liquids; They include a position pointer and may be manually operated for maintenance or emergency operations.

TECHNICAL FEATURES

Butterfly valves:

Body	PP-G (glass-fiber reinforced)
Seat and Seals	FPM
Disk	PVDF
Wafer mounting	Between flanges

Electric actuators:

Control	On/Off mode and 3-points modulating mode
Rotation	90°
Manual operation	Manual override knob (clutch)
Limit switches	2 Adjustable contacts (max. 5A)

Actuators, features for ND 65 to ND 125

Power supplies	100 ... 240 V AC 50/60 Hz and 100 ... 350 V DC or 24 V AC 50/60 Hz and 24 V DC
Consumption	45 W
Duty rating	30 % (according IEC34)
Protection	IP 65
Electrical connections	1 cable gland ISO M20 and 1 DIN 43650 plug; 3-wire + earth

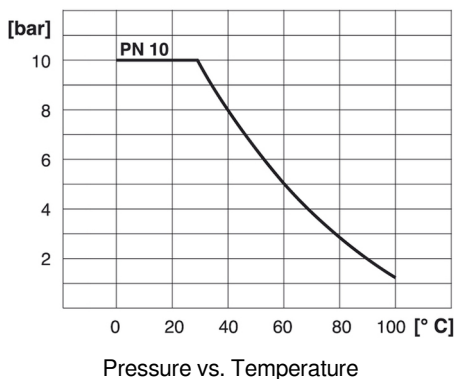
Actuators, features for ND 150 to ND 200

Power supplies	100 ... 240 V AC 50/60 Hz and 100 ... 350 V DC or 15 ... 30 V AC 50/60 Hz and 12 ... 48 V DC
Consumption	45 W
Duty rating	50 % (according IEC34)
Protection	IP 68
Electrical connections	2 cable glands ISO M20

Options:

Fail safe version (back to position 0° in case of power failure).

EC Conformity: The instrument meets the legal requirements of the current European Directives.



BAMO INTERNATIONAL

22, Rue de la Voie des Bans · Z.I. de la gare · 95100 ARGENTEUIL
Tel +33 (0)1 30 25 83 20 Web www.bamo.eu
Fax +33 (0)1 34 10 16 05 E-mail export@bamo.fr

Electrically actuated butterfly
valves
VEP K4-PVDF

19-11-2019

D-914.09-EN-AA

PLAS

914-09/1

CODE NUMBERS AND REFERENCES

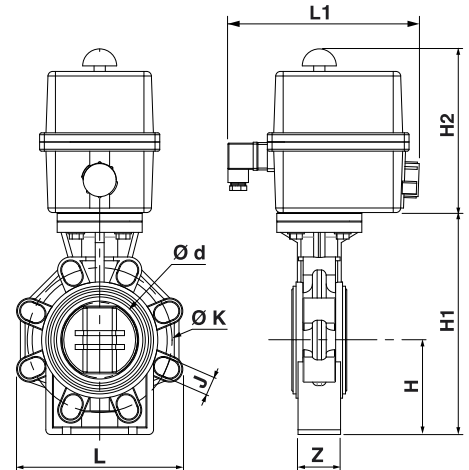
ND	d	24 V AC & 24 V DC	100 ... 240 V AC & 100 ... 350 V DC
65	75	914 649	914 654
80	90	914 650	914 655
100	110	914 651	914 656
		15 ... 30 V AC & 12 ... 48 V DC	
150	160	914 652	914 657
200	225	914 653	914 658

DIMENSIONS [mm]

ND	d	H	H1	H2	L	L1	Z	K	J	
65	75	100	232	177	133	205	46	127 / 145	19	R60
80	90		239		49		146 / 160	R100		
100	110	115	269	258	206	275	56	175 / 190,5	23	S300
150	160	148	333		261		234,5 / 241,5			
200	225	175	395		314		290 / 298,5			

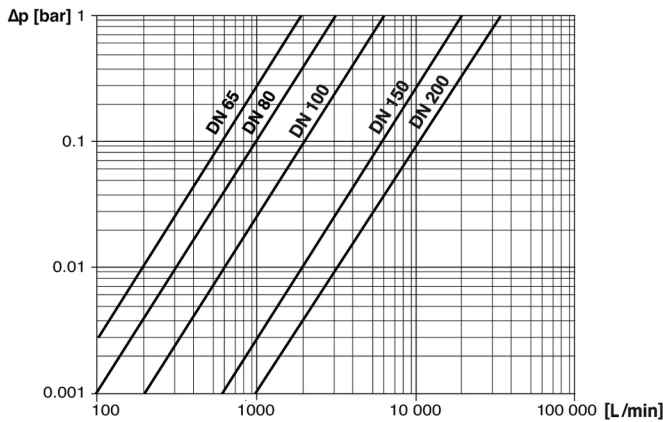
Tightening torques wafer mounting:

ND 65	ND 80	ND 100	ND 150	ND 200
15 N.m	18 N.m	20 N.m	40 N.m	55 N.m

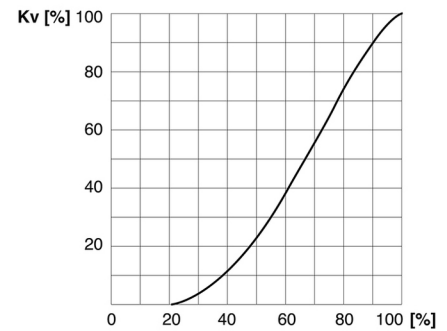


PHYSICAL FEATURES

Pressure drop vs. Flow rate (water at 20 °C)



Kv vs. Opening angle [%]



Kv factor (water at 20 °C):

ND 65		ND 80		ND 100		ND 150		ND 200	
Pressure drop									
1 bar	1 mbar	1 bar	1 mbar	1 bar	1 mbar	1 bar	1 mbar	1 bar	1 mbar
1,900 l/min	60 l/min	3,100 l/min	100 l/min	6,000 l/min	190 l/min	19,000 l/min	600 l/min	35,000 l/min	1,100 l/min

BAMO INTERNATIONAL

22, Rue de la Voie des Bans · Z.I. de la gare · 95100 ARGENTEUIL
 Tel +33 (0)1 30 25 83 20 Web www.bamo.eu
 Fax +33 (0)1 34 10 16 05 E-mail export@bamo.fr

Electrically actuated butterfly valves
VEP K4-PVDF

19-11-2019

D-914.09-EN-AA

PLAS

914-09/2