

# Vent valves BV 91 - BV 95



- Air inlet and outlet controls
- Body: PVC, PP or PVDF
- From ND 10 up to ND 80
- BV 91 free ball valve, for tank ventilation
- BV 95 ball valve, spring assistance, for tank ventilation & vacuum breaking

## DESCRIPTION

- Protection against vacuum, overpressure, overflow-spillage

## APPLICATIONS

### BV 91 and BV 95 - Overpressure protection

As the liquid fills the tank, the air or gas is compressed and pushes up the ball for exhaust. The tank is protected against overpressure while remaining watertight once the overpressure evacuated.

### BV 95 - Protection against vacuum, overflow-spillage

When emptying a tank, the space occupied by the liquid creates a vacuum. As the atmospheric pressure is higher, this creates a phenomenon of air suction through the ventilation valve.

This assembly can also protect the tank from overflow-spillage

### BV 91 - Protection against vacuum, overpressure, overflow-spillage

The ventilation valve BV 91 lets air or gas flow in both directions protecting the tank against vacuum and overpressure. An excessive filling of the tank by the liquid will apply the ball on its seat thus avoiding an overflow-spillage.

### BV 95

Warning: The opening pressure of these BV 95 cannot be exactly stated, the spring has a plastic coat so, its features are not constant. The opening pressure value could be between 0.04 and 0.13 bar, it depends of the valve size. However, these values are for information only, they depend of operating conditions.

## TECHNICAL FEATURES

Body	PVC, PP or PVDF
Operating temperature	PVC: 0 ... +60 °C PP: -10 ... +80 °C PVDF: -20 ... +100 °C
Seals	FPM
Ball	PP for PVC & PP valves PVDF for PVDF valves
Spring	Steel with PE coating (model BV 95)
Fittings	Spigot ends (PVC: for solvent welding; PP & PVDF for fusion welding)

**BAMO** INTERNATIONAL

22, Rue de la Voie des Bans · Z.I. de la gare · 95100 ARGENTEUIL

Tel +33 (0)1 30 25 83 20 Web [www.bamo.eu](http://www.bamo.eu)

Fax +33 (0)1 34 10 16 05 E-mail [export@bamo.fr](mailto:export@bamo.fr)

Vent valves  
**BV 91 - BV 95**

26-11-2019

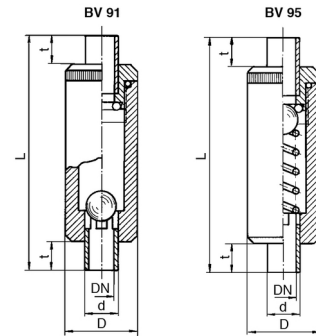
D-949.02-EN-AA

PLAS

949-02/1

## DIMENSIONS [mm]

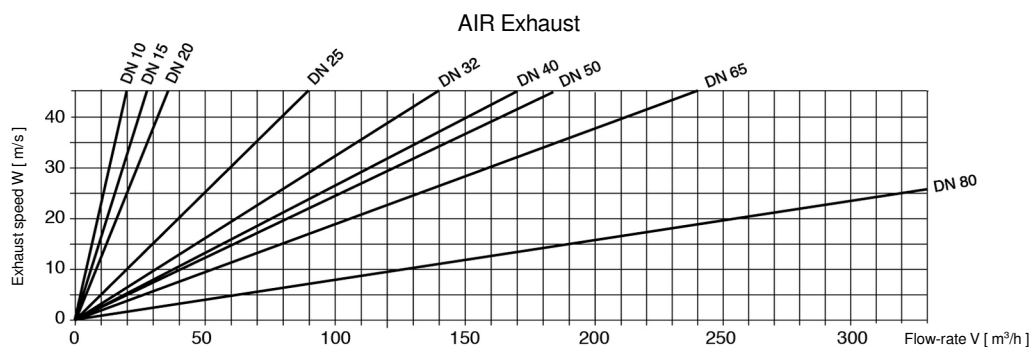
d	ND	D	L	t
16	10	35	114	14
20	15	40	124	16
25	20	45	144	19
32	25	55	154	22
40	32	70	174	26
50	40	80	194	31
63	50	95	224	38
75	65	115	284	44
90	80	150	300	51



## CODE NUMBERS AND REFERENCES

BV 91: Ball free valves					
BV 91, PVC Body, FPM seals		BV 91, PP Body, FPM seals		BV 91, PVDF body, FPM seals	
Code	Reference	Code	Reference	Code	Reference
949 151	BV 91 PVC/FPM - DN 10	949 161	BV 91 PP/FPM - DN 10	949 171	BV 91 PVDF/FPM - DN 10
949 152	BV 91 PVC/FPM - DN 15	949 162	BV 91 PP/FPM - DN 15	949 172	BV 91 PVDF/FPM - DN 15
949 153	BV 91 PVC/FPM - DN 20	949 163	BV 91 PP/FPM - DN 20	949 173	BV 91 PVDF/FPM - DN 20
949 154	BV 91 PVC/FPM - DN 25	949 164	BV 91 PP/FPM - DN 25	949 174	BV 91 PVDF/FPM - DN 25
949 155	BV 91 PVC/FPM - DN 32	949 165	BV 91 PP/FPM - DN 32	949 175	BV 91 PVDF/FPM - DN 32
949 156	BV 91 PVC/FPM - DN 40	949 166	BV 91 PP/FPM - DN 40	949 176	BV 91 PVDF/FPM - DN 40
949 157	BV 91 PVC/FPM - DN 50	949 167	BV 91 PP/FPM - DN 50	949 177	BV 91 PVDF/FPM - DN 50
949 158	BV 91 PVC/FPM - DN 65	949 168	BV 91 PP/FPM - DN 65	949 178	BV 91 PVDF/FPM - DN 65
949 159	BV 91 PVC/FPM - DN 80	949 169	BV 91 PP/FPM - DN 80	949 179	BV 91 PVDF/FPM - DN 80

BV 95: Ball valves with spring assistance					
BV 95, PVC / FPM, PE coated spring		BV 95, PP / FPM, PE coated spring		BV 95, PVDF / FPM, PE coated spring	
Code	Reference	Code	Reference	Code	Reference
949 051	BV 95 PVC/FPM - DN 10	949 061	BV 95 PP/FPM - DN 10	949 071	BV 95 PVDF/FPM - DN 10
949 052	BV 95 PVC/FPM - DN 15	949 062	BV 95 PP/FPM - DN 15	949 072	BV 95 PVDF/FPM - DN 15
949 053	BV 95 PVC/FPM - DN 20	949 063	BV 95 PP/FPM - DN 20	949 073	BV 95 PVDF/FPM - DN 20
949 054	BV 95 PVC/FPM - DN 25	949 064	BV 95 PP/FPM - DN 25	949 074	BV 95 PVDF/FPM - DN 25
949 055	BV 95 PVC/FPM - DN 32	949 065	BV 95 PP/FPM - DN 32	949 075	BV 95 PVDF/FPM - DN 32
949 056	BV 95 PVC/FPM - DN 40	949 066	BV 95 PP/FPM - DN 40	949 076	BV 95 PVDF/FPM - DN 40
949 057	BV 95 PVC/FPM - DN 50	949 067	BV 95 PP/FPM - DN 50	949 077	BV 95 PVDF/FPM - DN 50
949 058	BV 95 PVC/FPM - DN 65	949 068	BV 95 PP/FPM - DN 65	949 078	BV 95 PVDF/FPM - DN 65
949 059	BV 95 PVC/FPM - DN 80	949 069	BV 95 PP/FPM - DN 80	949 079	BV 95 PVDF/FPM - DN 80



# BAMO

## INTERNATIONAL

22, Rue de la Voie des Bans · Z.I. de la gare · 95100 ARGENTEUIL

Tel +33 (0)1 30 25 83 20 Web [www.bamo.eu](http://www.bamo.eu)

Fax +33 (0)1 34 10 16 05 E-mail [export@bamo.fr](mailto:export@bamo.fr)

**Vent valves**  
**BV 91 - BV 95**

**PLAS**

**949-02/2**

26-11-2019

D-949.02-EN-AA