

# VENTURI CHANNEL DEBITFLO

Flow rate measurement in open channel

DF 20 A



Nominal flow rate  
20 m<sup>3</sup>/h

## INSTRUCTION MANUAL

**BAMO MESURES**

22, Rue de la Voie des Bans - Z.I. de la Gare - 95100 ARGENTEUIL

Tél : (+33) 01 30 25 83 20 - Web : [www.bamo.fr](http://www.bamo.fr)

Fax : (+33) 01 34 10 16 05 - E-mail : [info@bamo.fr](mailto:info@bamo.fr)

Flow rate measurement  
in open channel  
**DEBITFLO**

01-09-2007

755 M0 012 A

**MES**

**755-12/1**

## 1. DEBITFLO LOCATION

Please consider carefully all following requirement to choose a suitable location of the open channel DEBITFLO.

### UPSTREAM SIDE SURROUNDINGS

To respect the minimum straight flow distance before the Venturi: the approach channel of the complete DEBITFLO is sufficient. However, it is better to **limit the slope of the input line at a minimal value**.

In case the slope is too high, **an undertow effect will be the consequence**, visible in the channel. In this case, the complete system will be operational only when the undertow (wave) is at a **greater distance than 30 times the highest water height of the DEBITFLO** (see the flow rate table at 100%).

**If the flow input line is not in the axis of the channel axe or through a valve, it is necessary to built up a longer approach channel.**

When the approach channel width is lower than the input line, it is necessary to built up a restriction input line in order **to avoid turbulences**.

**The best solution is to set up a basin for tranquilization** just before the approach channel, larger than the DEBITFLO and an input flow through a vertical pipeline.

### DOWNSTREAM SIDE SURROUNDINGS

The most important is to procure a free draining.

The DEBITFLO may **never get a drop pressure** back due to a bad drain off.

So, do not install a pipeline with a smaller diameter than the diameter of input line. Better to choose a really greater diameter and to design it with the highest possible slope value

**Never the height of downstream is over 80% of the upstream height.**

The most convenient when it is possible is to let **the flow output falling freely** in a cataract way.

## 2. LEVELLING THE DEBITFLO

### DIRECTION

- Install the DEBITFLO with its axis in the same axis of the flow.

### RAISING

- The bottom of the channel should be at the height of the input line bottom.

### LEVELLING

- Please use a bubble indicator to assure a perfect horizontal installation.

### 3. CARES FOR BEDDING

Before bedding the DEBITFLO in concrete, follow these recommendations to avoid any deformation inside the channel and unbalanced channel parts.

- The strengthening pieces are sufficient to keep optimal all dimensions of the channel during stocking and transport.
- These strengthening pieces are not designed to resist with the pressure due to materials (concrete, sand, foams, etc.) during bedding.
- Therefore, it is necessary to adapt bracing device, internal wood struts to balance the pressure from bedding materials and avoid restrictions/surface defects in the channel.
- Until all the materials are stabilized, dried, keep all the original strengthening pieces in place.
- Steel frameworks are of a good help for huge channels: drill into the external wood strengthening pieces to fix the channel to the structure.
- First bedding the ends of the channel and bottom of each strengthening pieces assure to keep a good position when filling is done with sand or weak concrete.

**No respect of these recommendations will cancel the manufacturer warranty.**

### UPSTREAM FINISHING

Coupling of DEBITFLO and input channel should be done of concrete, avoiding sudden changes of dimensions.

### DOWNSTREAM FINISHING

Coupling of DEBITFLO and output line should be done of concrete, keeping a freely falling.

### 4. FLOW RATE TABLE

HEIGHT %	HEIGHT mm	FLOW RATE l/S	FLOW RATE m <sup>3</sup> h
5,0	6	0,03	0,10
10,0	12	0,12	0,43
15,0	18	0,24	0,88
20,0	24	0,40	1,43
25,0	30	0,58	2,07
30,0	36	0,77	2,78
35,0	42	0,99	3,56
40,0	48	1,23	4,41
45,0	54	1,48	5,33
50,0	61	1,80	6,47
55,0	67	2,08	7,50
60,0	73	2,38	8,58
65,0	79	2,70	9,72
70,0	85	3,03	10,90
75,0	91	3,37	12,13
80,0	97	3,72	13,40
85,0	103	4,09	14,72
90,0	109	4,47	16,08
95,0	115	4,86	17,49
100,0	122	5,32	19,06

### 5. DIMENSIONS

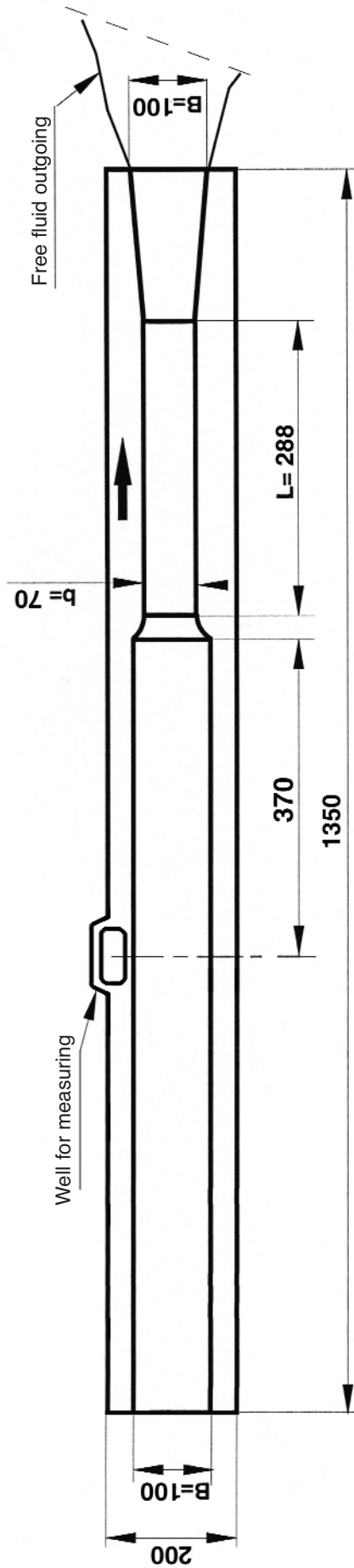
*The drawing is on the next page.*

Throat width	b =	70.0 mm
Channel width	B =	100.0 mm
Venturi length	L =	288.0 mm
Raised bottom	P =	20.0 mm
Roughness	Ks =	0.06 mm
Maximal height	=	122.0 mm
Nominal temperature	=	20.0°C

# DF 20 A

Nominal flow rate 20 m<sup>3</sup>/h  
Overflowing rate 22,4 m<sup>3</sup>/h

VENTURI + approach channel  
Construction: Fiber reinforced polyester  
Roughness K = 0,06



FLOW STREAM

