

BAMO

Liquid Control Solutions



PRODUCTS GUIDE



www.bamo.eu

EUROPEAN COMPANY FOR INDUSTRIAL INSTRUMENTATION

Content

pH · ORP

Page 3



Amperometric sensors

Page 4



Conductivity

Page 5



Water hardness Dissolved oxygen

Page 6



Turbidity

Page 7



Level indicators

Pages 8



Level switches

Page 9



Level detectors

Pages 10 & 11



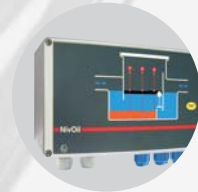
Level transmitters

Page 12



Safety systems for oil-water separators

Page 13



Temperature

Page 14



Flow

Pages 15 & 16



Pressure

Pages 17



Plastic valves

Page 18



Metal valves

Page 19



Visit our Website
www.bamo.eu

BAMOPHAR 107 pH/mV meter

Touch screen
Measurement of pH or ORP (*Redox*)
in industrial process for simultaneous
indication of the measured value
plus the temperature

Ranges: 0...14 pH and ± 1000 mV programmable
Automatic or manual temperature compensation
Output signal (2): 0/4 - 20 mA (*parameter and T°*)
Relay output: 4 alarm contacts

FACTORY OPTIONS:

- Data-logger and RS 422 interface
- Integrated web server communication

107-01



9300 Immersion probe holder

Designed for pH, ORP and conductivity electrodes,
plus temperature probe

Various fittings are available for immersion at the
point of measurement

OPTION: Self cleaning system

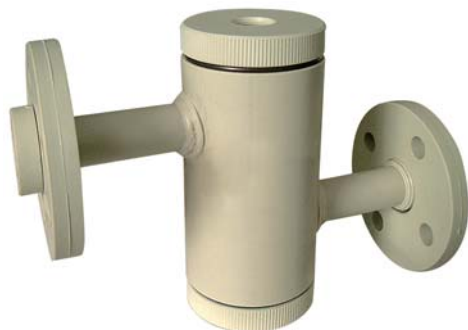
130-01 135-01 145-01



9200 pH or ORP continuous flow cells

For 1 to 3 electrodes pH, mV
PVC or PPH material
Various process connections available

140-01



9240 In-line electrode holder for pH and ORP electrodes

PVC material
Various process connections available

140-02



9400 In-line insertion probe, pH electrode holder

Direct measurements in-line
For pH and ORP combination electrodes
Electrode connection PG 13.5
Made of PP, PVDF or AISI 316 L
Hot tap electrode holder
Mounting and dismantling under pressure
Fittings: threaded end, weld-on end

141-01



Industrial electrodes pH or ORP measurement

Combined electrodes
Universal S7-head,
Connection: 13.5 Pg thread

150-01

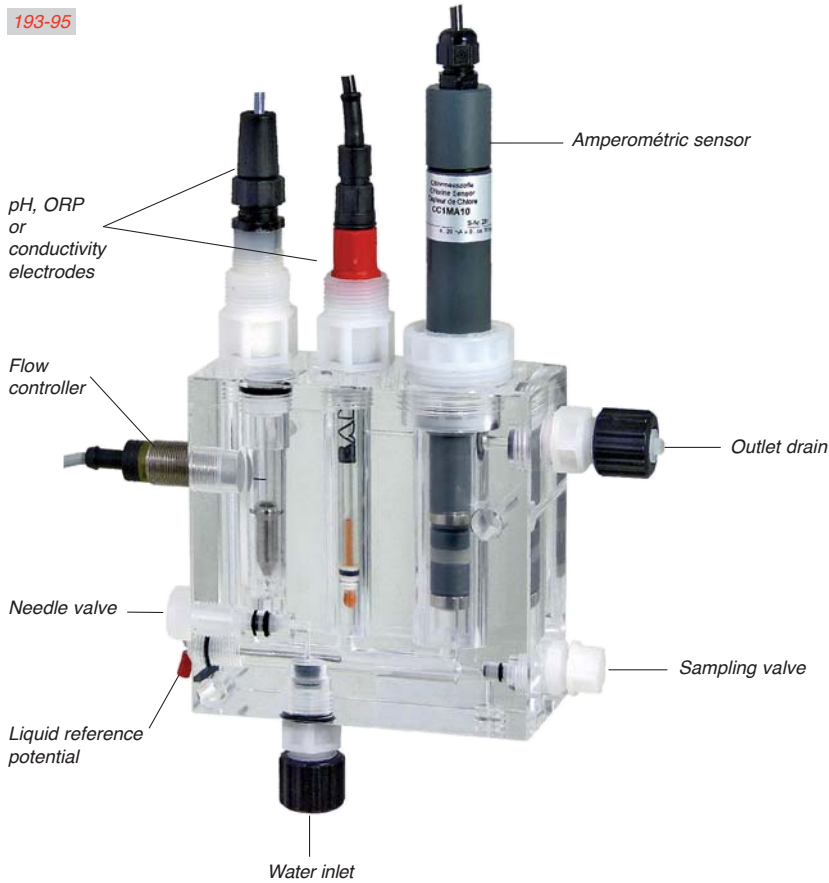


Chlorine • Amperometric sensors

Free chlorine, Total chlorine, Chlorine dioxide, Ozone
Hydrogen peroxide, Peracetic acid

- Limits up to 70°C and 6 bar
- Unnecessary zero adjustment
- Answering time < 2 min
- Temperature compensation built-in
- Long life electrodes

193-95



- Minimal and steady flow rate
- Mounting with dedicated flow cells
- Low maintenance cost
- Only one spare part: Endcap with diaphragm

CC1 Closed cell, 3 electrodes

For swimming pool or drinkable water

Water sample may not content surface-active additives

Range: 0.01...10 ppm
Output signal: 4-20 mA
Pressure limit: 0.5 bar
Temperature limit: 1...45°C

193-06



AS 2/3 Half-closed cell, 3 electrodes

For sanitary hot water
Without diaphragm

Range: 0.01 to 5 ppm
Output signal: 4-20 mA
Pressure limit: 6 bar
Temperature limit: 5...70°C

193-13



BAMOPHAR 195 Amperometric signal monitor

Touch screen

Parameters according to the sensor in use:
Free chlorine, Total chlorine, Chlorine dioxide,
Ozone, Hydrogen peroxide, Peracetic acid



195-01

Complete measuring system with assembly

For swimming pool, Process water, Cooling water



195-xx

CCK Half-closed cell, 3 electrodes

For cooling water systems,
or free chlorine detection before
reverse osmosis

Range: 0.01 to 4 ppm
Pressure limit: 6 bar
Temperature limit: 5...70°C

193-12

Exclusive implementation
with DCW 100 controller



Conductivity probes for BAMOPHAR

BS-BC, TOR, series

In-line or immersion measurement

Probes or inductive measuring system

Cell constant, 0.01...10
Integrated Pt100 probe
for temperature compensation

Coaxial cells materials:
Stainless steel (PTFE seals)

Probes and holders materials:
PVC, PPH, PVDF, Stainless steel

TOR sensor material:
NORYL®

Different process connections,
housing, cable or connector output



360-01 364-01

BAMOPHAR 323

Monitor and controller MΩ - mS

Touch screen

Programmable scales:

0...200 Ω up to 0...20 MΩ

0...2 μS up to 0...20 mS

TOR version, 0...2 mS up to 0...2000 mS

Convenient probes:

With cell constant, 10 ; 1 ; 0.1 ; 0.01
or with TOR sensor

Automatic or manual temperature
compensation

FACTORY OPTIONS:

- RS 422

- Logger 150 000 records

- Ethernet connection



323-01



TOR probes mounting:
On line, or by immersion

364-01



Water hardness

BAMOSOFT Smart Water hardness controller for water softening systems

Preset limit value at 10% of raw water hardness

BAMOSOFT Smart monitors a preset residual water hardness threshold value from the outlet of the water softener system. Threshold value is fixed at 10% of inlet raw water hardness.

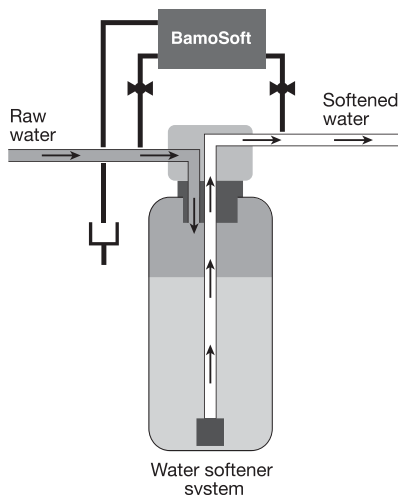
Example with tap water:

- Raw water hardness inlet = 12.6 °e (or = 18 °f)
- BAMOSOFT Alarming when softened water outlet is > 1.26 °e (or > 1.8 °f)

375-01



No reagent:
Ion selective electrode



BAMOSOFT Control Water hardness controller for water softening systems

Set up value from 0.25 to 10% of raw water hardness, 4-20 mA signal output

376-01



Dissolved oxygen

AQUAPLUS™ Optical sensor

- Measuring up to 50 mg/l or up to 500% in saturation
- Numeric signal compensated in temperature and salinity
- Low maintenance
- No water flow required
- Interference free towards suspended solids

451-01



AQUAPLUS™ Probe holder

PVC tube Ø 50
Standard length 2 meters, with protective sleeve

3 mounting types



BAMOPHAR 452 LOG Monitor

- Touch screen
- Display and control
- Logger included
- Recording on memory card (up to 150 000 records)
- Phoxlog software included

452-02



Turbidity

TURBIDITY MEASUREMENT Using absorption and 90° scattered light technology
in accordance with ISO 7027

TURBICUBE / GAB In-line turbidity transmitter

- Drinking water plants
- Raw and waste water
- Phase separation, filtration

Measuring range: 0.01...2000 FAU
Output signal: 0/4-20 mA

Immediate connection to **BAMOPHAR** monitor, data logger and regulator

444-01



437-01

BAMOPHAR turbidity monitoring with touch screen



TURBISENS Turbidity transmitter, Immersion Probe

Compact transmitter 4-20 mA
High resolution from 0.01 FNU

Integrated 4 digits display for:
- Actual value
- Programming
- Settings

443-01

TURBIDITY CONTROL

CP2 Immersion probe for turbidity control

For open channel flumes
and sludge level monitoring

Detection: 50 to 4000 FAU

To use with
TURBISWITCH GS4

425-02



TURBISWITCH GS4 Turbidity controller



- Control on phase separation milk/water
- Drinking water quality survey
- Diaphragm filtration efficiency
- Survey on separation, centrifugation

410-02

GA.. Armatures for turbidity control

Sensor fixture with emitter and receiver
To use with TURBISWITCH GS4

Control range: from 50 to 4000 FAU

422-01



MUDSonic MF & TS Immersed solid particles detector

- Detection in water of solid particles
- Survey with ultrasonic probe

Converter: On/Off output signal
Adjustable timer
Status display by LEDs

426-02



MUDLine® TGS Portable sludge blanket level monitor

Combination of a controller and a piezoresistive turbidity level sensor

- Sludge level detection, immersion depth up to 10 m, in primary and secondary clarifier, thickener, rotten black sludge, sludge level measuring in small sewage plants

Easy to use and easy to clean
Compact package with cable length 10 m, reel and minimal weight of 3 kg

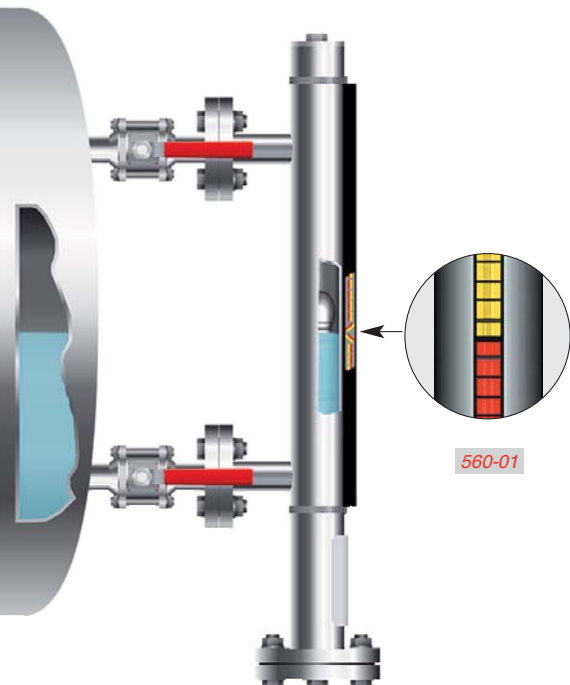
Audible alarm, LCD 3 digits
Built-in battery with range of 100 measurement cycles of 7 minutes each



Level indicators

MAGTOP Line Indirect reading

High mechanical resistance and totally safe
For dangerous products: hot water, alkalis or acids, etc...
Materials: Stainless steel, PVC, PP, PVDF
Connections: Flange or BSP threaded
Output signal: 4-20 mA and/or level switches



FS4 Local indicator, Tank top fitting

For liquids,
with or without
particles
Materials:
PVC or PP

584-01



GNR5 Local indicator, Level control

Glass
or transparent
PVC tube

Magnetic float:
PP

Connections:
Flange
or BSP threaded

571-01



JAR Stainless steel Cat & Mouse

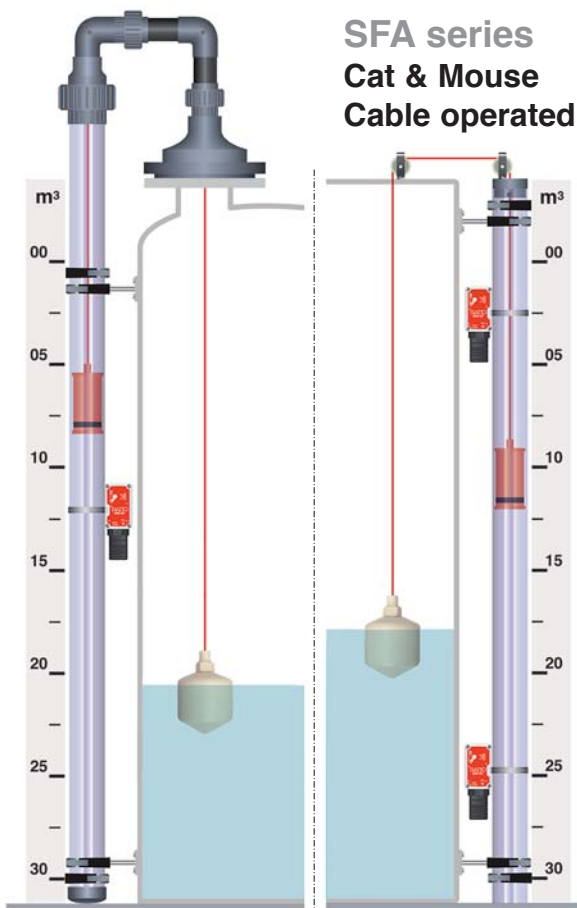
Level indicator
with metallic parts

Wide scale
Graduated in %, m³, L
Long height possible
Protected pulleys
with a no jump system
Sections of 1500 mm,
adjustable total length

582-01



SFA series Cat & Mouse Cable operated level indicators



Standard model
Gas tight cable operated
level indicator
Reduced path model

OPTIONAL
ACCESSORIES

Bi-stable level switches:
BSM 501 or BRK 60

Continuous level
transmitter:
4-20 mA output

Graduated rulers:
%, Height, Volume

583-01 583-02

ALSO AVAILABLE

SFA.. Modular kits
Base height 2x1.60 m
expandable parts 1.60 m

583-05

Level switches

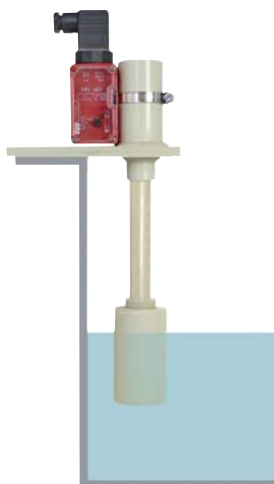
SECURICUVE Tank top level controller

Low level detection for tanks where a lack of chemical is an unsafe condition

Protection against overheating following evaporation or tank leaking, or defect on chemical solution refilling

Positive active detection
Construction: PPH / 105°C max.
or PVDF / 140°C max.
Pressure: Atmospheric
Fixing: PPH or PVDF

584-02



BRK 60 - BSM 5.. Level switches

Mounting on Stainless steel,
PVC and PP tubes
Fixing: Stainless steel,
or plastic collar for pipes
For diameter: 32 or 63 mm
1 changeover contact: 500 VA,
or 60 VA

585-02 585-01



NIVOSTOP® Switch level floats

Large range
For waste water and sewage
pumping systems, sumps shafts etc...
With different cables
With different shapes

522-05

With
built-in ballast

520-01

520-03



NIVOSTOP® /... Level controllers

ATEX certified
zones 0, 1 and 2

For aggressive fluids
(acids, basic solutions, etc.)

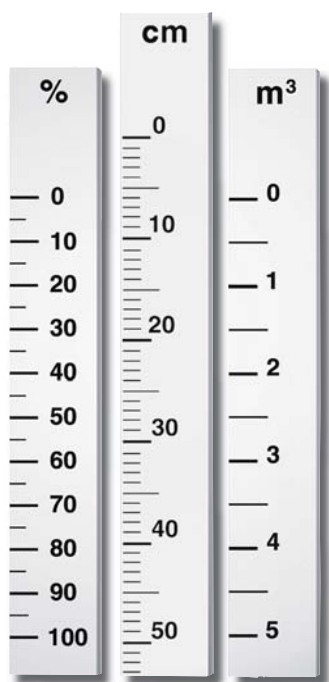
ACS certified
For use in drinkable water,
Food industry applications
ACS Certificate =
sanitary certification

521-03 520-04 523-01



Graduated rulers For SFA, GNR 5 and MAGTOP series

Unit: %, height, Volume, Mass/Weight



Any ruler with a length
over 4.6 m is delivered
in 2 parts.
(the fitting for assemble
is included).

A drawing for acceptance
is submitted before we
manufacture the ruler.

583-03

Accessories A complete set for your level indicators

Floats, magnetic counterweights and pulleys
Fit the SFA, GNR 5 series and MAGTOP systems

583-03



Level detectors

ES 2001 Level control relay

For electrically conductive liquids
On/Off level controller using 2 rods
Level regulation using 3 rods
Pump automation, protection
Alarm signals

530-01



STE Resistive level probe

1 up to 5 electrodes
Rods are in stainless steel or titanium

540-01



TVI Resistive level probe

1 up to 4 electrodes
Metal - PTFE
Process connection:
Gas or NPT
Head housing:
Cast aluminium

541-01



HE & HS Cable suspended resistive level probes

2 types: for aggressive or neutral fluids
Materials: St. steel, 1.4571
Carbon-glass

542-01



EF Level electrode

For well and bore-hole
Compactness
Material:
Stainless steel

542-02



MNR 6, MNR 7., MNR 7/EX Magnetic float level controllers

1 to 6 changeover contacts
Length up to 3000 mm
PVC, PP, PVDF, Stainless steel
Certification for category 1 (Zone 0)

551-01



550-01



550-03



MEMPRO S6 Hydrostatic level controller

Convenient for level controls on non-pressurised tank

- 4 switching points, adjustable over all the measuring range
- Convenient for aggressive and loaded fluids even viscous or / and sticky fluids
- Range: up to 10 m Water Column
- Reliable, without mobile assembly

592-03



Level detectors

OVERFILLING AND LEAKAGE PROTECTION

MAXITOP

Compact overfill sensor

Universal use for electrically conductive, non-flammable water endangering liquids

No moving parts

Process connection
BSP 2", PVC, sliding

Stem PEHD: Ø 40 mm
(Ø 20 on request)

Adjustable
immersion depth

556-01



SHR CS

Measuring transducer

Alarm signal relay
for leakage or overflow
transmitters

555-06



TC4

Signaling device 4 sensors input

4 surveying channels
for leakage or overflow
transmitters

555-07



MAXITOP LW-C

Leakage sensor

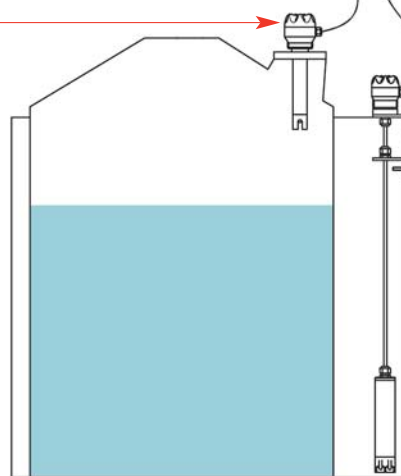
Universal use for electrically conductive, non-flammable water endangering liquids

Stem: PEHD, Ø 40 mm
(Ø 25 on request)

With fastening angle
and adjustable
thread joint

or with cap and
adjustable thread joint

556-03



Certification with MAXIMAT® serie:

- WHG§19 in Germany
- KVU in Switzerland
- GOST Russ. federation
- Vlarem II in Belgium

LEAKAGE, INUNDATION AND HUMIDITY DETECTION

LISA

Liquid Intrusion Safe Alarming system

LISA system or "Liquid Intrusion Safe Alarming", is designed for alarming as soon as humidity or a drop of water is detected on a ribbon like sensor. The fail safe alarming system LISA includes, as a minimum, one ribbon sensor or one-point detector, plus one alarm relay ES5000.

LISA system is dedicated for leakage detection on water distribution (pipes, sprinklers) and alarming in case of water, condensates or humidity in areas where water is prejudicial for equipments:

- Computers, electronic devices, machinery
- High electric power station
- Computer rooms, medical equipments
- HVAC moisture prevention - Museum - Stores, etc...

544-03

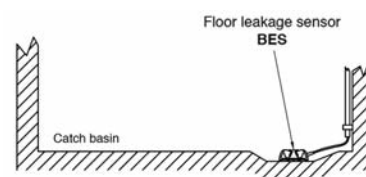


BES

Leakage Detection

Conductive sensor,
stainless steel electrodes
Floor water detection

540-02



Level transmitters

RTM Continuous level transmitter

Signal output:
4-20 mA
Step:
10 mm

Adapted to our
level indicators
MAGTOP, SFA,
MNR 6, MNR 7.



EVEREST 214-S 4 Limit value relays

Measuring amplifier
4 adjustable thresholds
for two 0/4-20 mA sensors

Adjustable hysteresis
2 channels 0/4-20 mA
with programmable scale
0 to 25 mA

232-04



586-01

BAMOSONIC Ultrasonic level transmitter

Convenient for measuring liquids,
stored in tanks and wells.

Output signal: 4 to 20 mA
Scale: 0.2...15 m (2 wire technique)
0.2...25 m (3 wire technique)
Connections: thread BSP, NPT
Data logger, HART
ATEX version

597-06



MEMPRO® Hydrostatic level transmitter

Universal use in open tanks
Reliable operation, even with
aggressive, viscous, contaminated
and crystallising liquids.
The measuring cell is not in
contact with the medium.

Range: up to 10 m WC
Wetted parts: PVC, PP,
EPDM or Stainless steel
Measuring cell: Ceramic
Output signal: 4-20 mA

ATEX version: Ex II 1 G Ex ia IIC T6 Ga



592-..

NIVAPRESS SGE-25 Hydrostatic level transmitter

Convenient for measuring clear liquids,
stored in tanks and wells.
It is recommended for monitoring and control
of submersible pumps systems.

Sensor and probe: Stainless steel 316 L
Diaphragm: Hastelloy C276
Cable: PUR (polyurethane)
Output signal: 4 to 20 mA, (2 wire technique),
or 0 to 10 V (3 wire technique)
Scale range available from 1 to 500 m WC
ATEX version: Ex II 1G EEx ia IIC T4 / T5 / T6

590-03



BAMOFLEX TDR Level transmitter

A TDR Probe is working as
a Time Domain Reflectometry application.

TDR Probe, 4 wire technique
Continuous measurement, 4-20 mA output signal
Scalable from 100 to 6000 mm
Pressure limits: -1...40 bar
Accuracy: ± 3 mm
ATEX versions: II 1/2 G – II 1/2 D



546-01

BAMONIV TPS Hydrostatic level sensor

Designed for measuring level of aggressive fluids,
viscous or polluted.
The wetted parts are made of PVDF,
FPM or EPDM for seals and cable is PTFE shielded.

Measuring cell; Ceramic 99.9 %
Accuracy: 0.35 %

Range: from 0...1 m WC to 16 m WC
Output signal: 4-20 mA, two wires

591-03



BAMOBUL Level measurement Air bubble principle

Air generator with flow rate regulator
for level measurement in open
channel flumes

Wall mounting housing IP 55,
with pressure sensor
Convenient for charged or
foaming effluents

Measuring range: 0 to 500 mm WC
Output signal: 4-20 mA



758-01

MUDSENS Continuous measuring of sludge level

- Primary sludge basin, Clarifiers
- Storage tanks, isolated plants
- Sludge level monitoring,
- Telemetry options for lagoons
and ponds monitoring

Range of measurement: 0,7 to 12 m
Main power supply: 115/230 V AC
Analogue output: 4-20 mA, 750 Ω
4 contacts NO; 5 A - 230 V AC



599-02

Safety systems for oil-water separators

NIVOIL®

Alarm system for oil-water separator

Designed for the monitoring of hydrocarbon fluids separators, the converter NivOil® may be connected to 1, 2, or 3 sensors. The 3 sensors may be connected to any input.

Hydrocarbon fluid layer thickness sensor to detect when the maximum thickness is reached.

Overfill sensor to detect when the fluids are on the highest level

Sludge layer sensor to alarm when maintenance is necessary.

- ATEX certification
- Main power supply 230 V AC / 50 Hz, or 10...27 V DC
- 3 inputs, for any NIVOIL probes
- Automatic recognition of type probe
- 3 relay outputs
- Audible alarm disable by DIP switch
- Front system drawing with lightning alarms
- Wall mounting cabinet, IP 65
- Suspended cable probes with 10 m long cable

531-01 531-02



RAC 531

Alarm system for oil-water separator

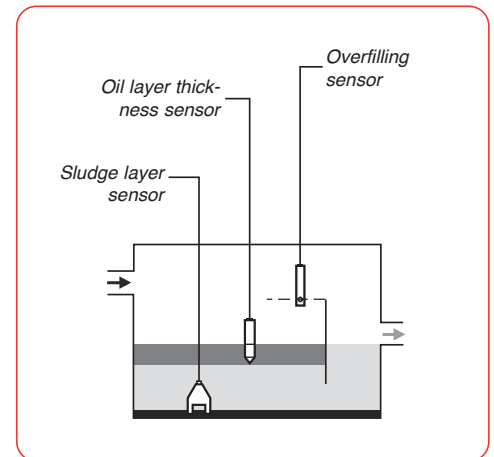
Designed for the monitoring of hydrocarbon fluids separators. With sensor, (OP/10 or OP/5) the alarm device detects when the maximum thickness is reached.

- ATEX certification
- Main power supply 230 V AC / 50-60 Hz
- Acknowledgment to push and test button
- 1 input, for NIVOIL probe
- 1 relay output
- Audible alarm disable by DIP switch
- Lighting alarm
- Wall mounting cabinet, IP 65

531-04



531-03



Oil-water separator

BAMOBX SOLAR (BBS) Autonomous system for oil-water separator

A complete system BBS will power an alarm unit NivOil® 10...27 V DC when no main power supply exists in the field.

- Autonomous complete system
- Field installation
- Solar panel powered and battery
- Pole clamp fitting or wall mounting
- Battery protection against discharge and overload
- Solar panel own fitting support

OPTIONS:

- Flashing light (*Short distance survey*)
- GSM (*Large distance survey*)

T 701

Gas actuated thermometers

Suitable in the food, pharmaceutical, chemical and petrochemical industries.

Case diameter: 100 mm, 150 mm

Accuracy: Class 1 (according to EN 13190)

Scale ranges: -200...+700°C

Measuring element: Inert gas pressure system (no toxic)

Bayonet type ring IP65 - EN 60529 /IEC

Case and ring: Stainless steel, AISI 304

696-12



T 502

Bimetal thermometers

Case diameter:
100 mm, 150 mm

Accuracy:
Class 1 (according to EN 13190)

Scale ranges:
-20...+600 °C

Case and ring:
Stainless steel, AISI 304
Bayonet type ring IP65 - EN 60529 /IEC

Measuring element:
Helicoidal bimetal sensor

696-18



TWS

Welded thermowells

Protect delicate sensing elements
against corrosive effects

Permit instrument interchange or calibration check
without disturbing or shutting down the process.

Selected according to pressure, temperature,
flow, vibration and corrosion service parameters,
basic thermowell types include:

Threaded connections 1/2" BSP or NPT, 3/4" NPT
Flange DN 32, DN 40, DN 50, PN 10/16 or PN 20

Materials: inox 316 L, PVC, PPH, PVDF

635-01



Pt 100 Ω

Probes

Stainless steel,

PVC, PP, PVDF

Range: -200 ... +600 °C

Output signal: 4-20 mA,

or 3 wires

611-01 613-01



St. steel probe

PP probe

PVDF probe

ITU 402 / 412

Panel mounting indicator, 2 relays

Inputs: mA, V, Pt 100, Ni 100, TC

Main power input: 21.6...253 VAC / 50-60 Hz
or 19.2...300 VDC

Sensor power supply: 15...25 VDC / 0...20 mA

Housing: IP65, black polycarbonate, 48 x 96 mm

Outputs relays: 2 change over contacts 230 VAC

Analogue: 0/4-20 mA, 800 Ω as a maximum

222-03



BAMOPHAR 759

Flow calculator

Touch screen

Programmable for level, instantaneous flow, daily volume, permanent cumulated volume

Also within memorized curves for VENTURI, V or U overflow weir

Input signal: 0/4-20 mA
Output signal: 0/4-20 mA
4 adjustable limit relays
Wall mounting housing IP 65

FACTORY OPTIONS:

- Data-logger and RS 422 interface
- Integrated Web Server communication device

759-03



Ultrasonic transmitter



DEBITFLO Venturi channel

Flow-rate measurement in open channel flumes
Standard: ISO 4359
Long-lasting composite material
Available in a range of 10 sizes, up to 2500 m³/h
With or without approach channel

755-01

BAMOBUL

Level measurement Air bubble principle

For level measurement in open channel flumes
Direct link with BAMOPHOX 759
Wall mounting housing IP 55
with pressure sensor
Air generator with flow-rate regulator
Convenient for charged effluents
Measuring range: 0 to 500 mm WC
Accuracy: ±1%
Output signal: 4 to 20 mA



758-01



V-notch Weir plates & VENTURI Flow-rate measurement in open channel flumes

PVC or PEHD material

FACTORY OPTION:

- Integration in plastic housing for a simple and mobile installation



DEBITBAC Overflow weir

Standard: ISO 1438/1-1980
Measuring range: 1 m³/h to 400 m³/h
V-angle from 20° to 90°
Materials: PVC or PE

755-02

G6/5-250, C6/5-250 Flow rate indicators

The transmission of the diver position to the display is magnetically operated.

All scales for liquid or gaseous fluids

Materials:
Stainless steel 316, PTFE

Connections:
ND 15 ... ND 100
(*250 mm between the flanges)

741-01



E serie Flow rate indicators

Glass tube

Flow meter with diver, for liquid or gaseous fluids

Tapped or flanged connections

795-01



BV-BR, CDA, BMV, DUM, DUG Flow monitors

For water, air or oil – Brass or stainless steel materials

- Visualization and flow control by float (BV, DUM series)
- By side analogical indicator (BMV, DUM series)

Process connection: 1/4" ... 1" 1/2

Free of viscosity changes effect up to 600 cPs



720-01

721-01

722-01

BAMOFLONIC Ultrasonic flow meter

For conductive or non-conductive fluids in various industrial applications

- 4 models DN10 to DN25
- 4 scales, from 0.3 to 240 l/min
- 1 analogue output 0/4-20 mA
- 1 digital output configurable on site
- Alphanumeric back lighted LCD display

Protection: IP67
Fluid temperature: -10...+80°C

776-01



BAMOFLONIC - PFA Ultrasonic flow meter

In strongly alkaline solutions, or concentrated acids or leachate

- 4 models DN7 to DN20
- 4 scales, from 0.09 to 120 l/min
- 1 analogue output 0/4-20 mA
- 1 digital output configurable on site

Protection: IP65
Fluid temperature: 0...+80°C

776-02



BAMOFLU Magnet paddlewheel flow meter

Low pressure loss

Construction:
PP, PVDF, Stainless steel

Fit pipes:
ND 15 ... ND 600

Flow speed from 0.8 to 6 m/s

Supply voltage: 24 V DC

780-01



IDP - PDP Variable area flow indicators

For aggressive or neutral fluids
Corrosion and shockproof

Construction: All in plastic materials
PVC - Polysulfon (PSU) - PVDF

Ranges: Water - HCl - NaOH - Air

Direct reading plus 2 set point indicators
Alarm contacts in option

Accuracy: Class 4

Radial mounting: Vertical, ascending flow

IDP model: 0-60 m³/h water in 12 scales

PDP model: 2.5 to 1000 l/h water in 8 scales

ACCESSORY: Alarm contacts

730-05

731-03



Flow

BAMOMATIC Electromagnetic flow meter

Calibrated individually on the test bench to a precision better than ± 5 pulses /1000

Convenient for small flow rates between 0.1 and 150 l/min

No pressure loss

Only for conductive liquids (minimum $20 \mu\text{S}/\text{cm}$)

No influence of density, neither of viscosity, temperature or pressure

WETTED PARTS

Electrodes: Stainless steel 316 L
Process: PVDF, (POM on request)

775-01



VORTEX Flow sensor

Flow rate on hot industrial water, drinkable water, demineralised water measuring independant from temperature
No moving parts

Range: 0.9...150 l/min
from ND 8 to ND 25
Output signal: analogue 4-20 mA or pulses

Drinking water approval:
KTW, W270, WRAS

777-01



Pressure

Complete range for: Water industry, Oil industries, Food industry, Energy

Electronic pressure transmitters, differential manometers, pressure or vacuum switches supplied alone or mounted on gauge guards

Pressure gauges

- Bourdon tube pressure gauges, Stainless steel case dry or filled
- Differential pressure gauges
- Absolute pressure gauge "All stainless steel"
- Pressure gauge with switches

Stainless steel gauge guards

- Threaded process connections
- Flange-type
- Diaphragm seal "Mini"
- Sanitary connections
- High pressure diaphragm seal

812-..



Industry serie Pressure transmitter

Output: 4-20 mA, 0...5 V DC, 0...10 V DC
Accuracy: 0.5% or 0.25%

Measuring range:
Relative pressure -1 to 1000 bar
Connection: 1/2" - DIN 16 288

805-02



SPM 903 Gauge guards, all in plastic

The pressure gauge guards SPM 903, are suitable to protect the pressure sensors against the destroying effects of aggressive fluids

Upper cover: PPG, glass fibre reinforced Polypropylene
Base plate: PVC-U, PP, PVDF
Diaphragm: EPDM, PTFE coated

Process connection: BSP 1/2" Female
Pressure limit: 10 bar at 20°C as a maximum

Temperature limits:

0...+60°C with PVC-U base plate
+10...+80°C with PP base plate
-30...+100°C with PVDF base plate

903-02



Examples of applications

Plastic valves

SDD 911

Pressure relief valves

A pressure relief valve SDD 911 limits the static pressure to a maximal settled value by opening the outlet (to the discharge line) when the pressure is overriding.

911-03

RDP 906

Pressure reducing valves

A pressure reducing valve RDP 906 maintains constant the pressure downstream, at the adjusted value.

906-02

SDD 911 & RDP 906:

Pressure: Class PN 10 (at 20°C)
 Set up range: 0.5 to 10 bar
 Temperature limits: : +10...+50 / 70°C (PVC / PP)
 Dimensions: ND 10 ... ND 25

Body: PPG
 Diaphragm: PTFE coated EPDM

Connections: DIN 8068 threaded,
 PVC union to glue on site,
 PPH union to weld on site



SDD 912

Pressure relief valves

Pressure relief valves SDD 912 limits the static pressure to a maximal settled value by opening the outlet (to the discharge line) when the pressure is overriding.

Pressure: Class PN10 (at 20°C)
 Setup range: 1 to 10 bar
 T° limits: +10...+50°C

Inlet / Outlet size: ND32...ND50

Body: PVC
 Seat seal and O-rings: EPDM or FPM

Connections: PVC unions
 or PVC loose flange

912-02

SDD 910

Pressure relief valves

Body: PPG or PVDF
 Connections: PVC unions
 Nominal diameter: ND 10, ND 15
 Nominal pressure: PN 10

910-01



Check valves (SV 91- SV 95)

Can be used in no-return horizontally with and vertically with upward fluid.
 Material: PVC, PPH, PVDF

949-01

Angle seat valves (CSI) Wafer check valve (CBT)

To control the fluid flow direction
 Material: PVC, PPH, PVDF

951-01 950-03



Manual valves

VVDV

Angle seat valves

Body materials: PVC, PPH, PVDF
 Connections:
 Male spigot ends ND 10 to ND 50



930-01

VMP K4

Butterfly valves

Body material: PP-GF
 Disc material: PVC, PP or PVDF
 Dimensions: ND 65 ... ND 200



945-04 945-05

VMM T4

Diaphragm valves

Body materials: PVC, PPH, PVDF
 Connections: ND 15 ... ND 65



940-02

VM2V & VM3V S4

2 or 3-way ball valves

Body materials: PVC, PPH, PVDF
 Connections: ND 10 ... ND 80 (2-way)
 ND 10 ... ND 50 (3-way)



934-02

935-01

Plastic valves

Actuated valves

VE 2V S6 2-way electric actuated ball valves

Economic, Compact
3 motor types

Valve body: PVC
Connections: DN 10 ... DN 65

914-00



VE2V & VE3V, S4 2 or 3-way electric actuated ball valves

In-line pattern

Valve body: PVC, PPH, PVDF
Connections: ND 10 ... ND 100 (2-way)
ND 10 ... ND 50 (3-way)

914-..



VEP Electric actuated butterfly valves

In-line pattern

Valve body: PP-GF, PVC
Disc material: PVC, PP or PVDF
Dimensions: ND 65 ... ND 200

914-..



VP2V & VP3V, S4 2 or 3-way pneumatic actuated ball valves

NAMUR VDI/VE 3845 & ISO 5211

In-line pattern

Valve body: PVC, PPH, PVDF
Connections: ND 10 ... ND 100 (2-way)
ND 10 ... ND 50 (3-way)

913-..



Solenoid valves

EVP 920 NF ... Solenoid valves Pilot operated

Function: NC
Housing: Nylon 66
Diaphragm and seals: EPDM
Connection: DN 10 to DN 50

Power supply: 24 and 230 V AC / 50 Hz, 24 V DC



920-02 920-03

EV 150 Solenoid valves Direct acting

Function: NC
Housing: PVC, PTFE
Diaphragm and seals: PTFE / EPDM, FPM
Connections: DN 10 to DN 20

Power supply: 220 V / 50 Hz



921-01

Metal valves

Actuated valves

VP 2V & 3V - INOX 2 or 3-way pneumatic actuated ball valves

NAMUR VDI/VE 3845 & ISO 5211

Valve body: Stainless steel 316
Thread socket ends: 1/4" ... 4" (2-way)
1/4" ... 2" (3-way)

1013-01



VPP - INOX Pneumatic actuated butterfly valves

NAMUR VDI/VE 3845 & ISO 5211

Valve body: Epoxy painted cast iron
Disc material: Stainless steel 316
Dimensions: DN 50 ... DN 300

1013-03



VE 2V & 3V - INOX 2 or 3-way electric actuated ball valves

Valve body: Stainless steel 316
Thread socket ends: 1/4" ... 4" (2-way)
1/4" ... 2" (3-way)

1014-02



VEP - INOX Electric actuated butterfly valves

Valve body: Epoxy painted cast iron
Disc material: Stainless steel 316
Dimensions: DN 50 ... DN 300

1014-03





Liquid Control Solutions

The company

BAMO Mesures SAS:
French manufacturer of sensors and instruments
for the monitoring and analysis of liquids

BAMO has expertise in:

- . Analysis and measuring of fluids, pH, chlorine, conductivity water hardness, turbidity and dissolved oxygen
- . Control and level measurement, flow, pressure and temperature
- . Motorized valves and automatic valves

Our skills and expertise include hydraulic, mechanical, electronic and plastic injection control systems.

Since its foundation in 1978, the company has continued to grow under the same family ownership.

Manufacturing and product development are conducted in accordance with **ISO 9001:2000** procedures. Our technical and commercial presence now spans Europe.

BAMO Mesures is always oriented towards the satisfaction of its loyal clientele.

BAMO IER GmbH, our subsidiary (design, manufacture and sales) has operated in Germany and Austria for 44 years.

The company is **ISO 9001** certified, respecting all applicable legal requirements and European standards, testing in its own EMC lab, as well as by external approval authorities (i.e. TÜV, DIBt etc.),

BAMO GlobalÁgua supports our customers for Spain and Portugal.

BAMO Polska Sp. z o.o. supports all our programm in Poland.

Many exclusive distributors complete this scheme around the world.



BAMO Germany

BAMO IER GmbH
Tel: +49 (0) 621 84224 90
E-mail: info@bamo.de
www.bamo.de



BAMO MESURES SAS

Headquarters – FRANCE
Tel: +33 (0) 130 258 320
E-mail: info@bamo.fr
www.bamo.fr



Intertek



BAMO Spain

GlobalÁgua España
Tel: +34 914 983 236
E-mail: comercial@globalaguaespana.com
www.bamo.es



BAMO Poland

BAMO Polska Sp. z o.o.
Tel: +48 666 311 122
E-mail: info@bamopolska.pl
www.bamopolska.pl



BAMO Portugal

GLOBALÁGUA, LDA
Phone: +351 219 237 720
E-mail: comercial@globalagua.pt
www.bamo.pt



BAMO International

BAMO Mesures SAS (Export Division)
Tel: +33 (0) 130 258 331
E-mail: export@bamo.eu
www.bamo.eu

Visit our Website
www.bamo.eu